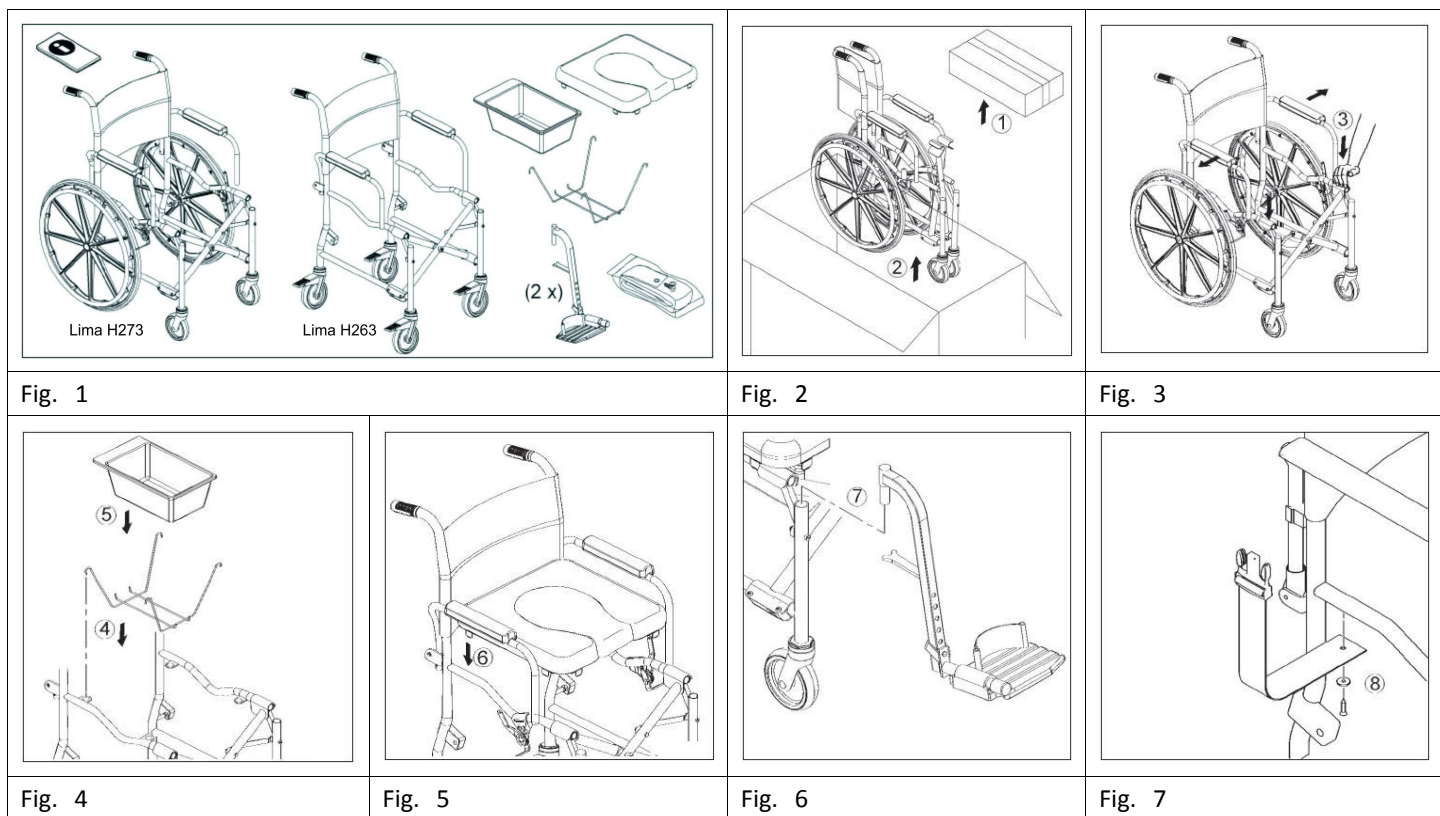




# Invacare® Lima

H263 / H273

en	Shower and Toilet Chair User Manual .....	3
de	Dusch- und Toilettenstuhl Gebrauchsanweisung .....	6
fr	Chaise roulante pour douche/toilettes Manuel d'utilisation .....	10
it	Sedia da doccia e da toilette Manuale d'uso .....	14
es	Silla de ducha e inodoro Manual del usuario .....	17
pt	Cadeira de duche e sanita Manual de utilização .....	21
nl	Douche- en toiletstoel Gebruiksaanwijzing .....	25
no	Dusj- og toalettstol Bruksanvisning .....	29



This manual MUST be given to the user of the product.  
BEFORE using this product, this manual MUST be read and saved for future reference.



Yes, you can.®

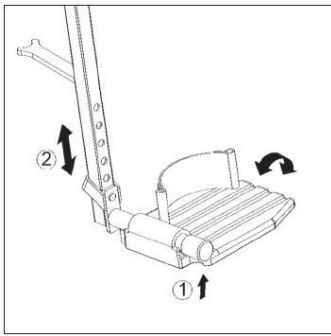


Fig. 8

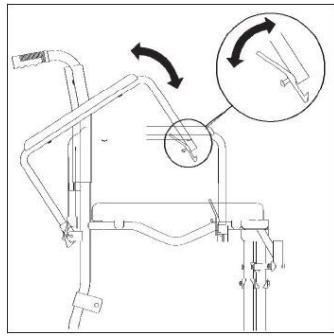


Fig. 9

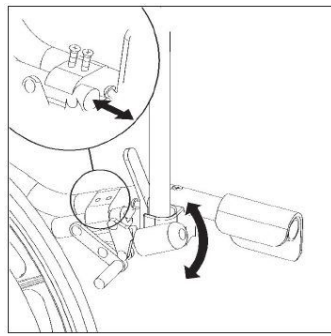


Fig. 10

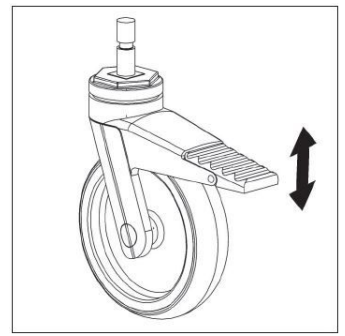


Fig. 11



Fig. 12

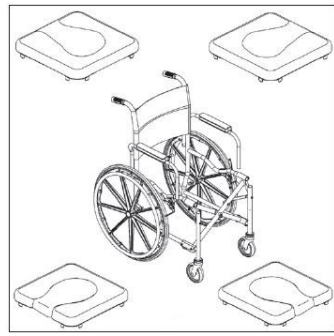


Fig. 13

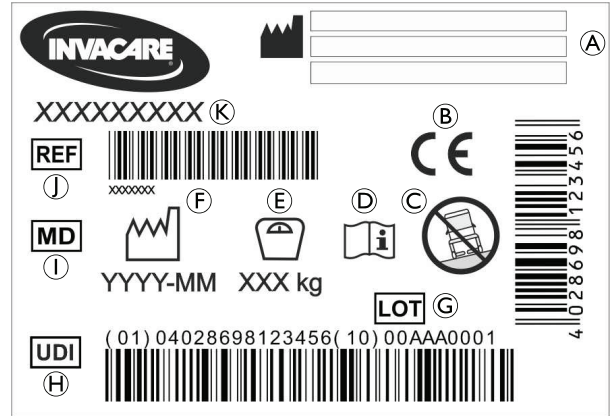


Fig. 14

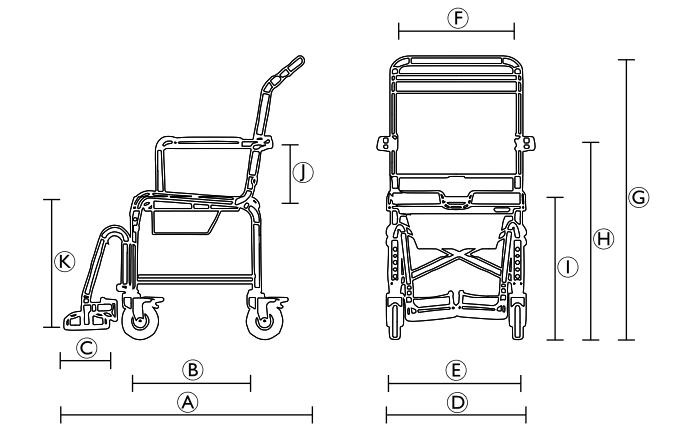


Fig. 15

## 1 General

### 1.1 Introduction

This user manual contains important information about the handling of the product. To ensure safety when using the product, read the user manual carefully and follow the safety instructions.

Invacare reserves the right to alter product specifications without further notice.

Before reading this document, make sure you have the latest version. You find the latest version as a PDF on the Invacare website.

If you find that the font size in the printed document is difficult to read, you can download the PDF version from the website. The PDF can then be scaled on screen to a font size that is more comfortable for you.

In case of a serious incident with the product, you should inform the manufacturer and the competent authority in your country.

### 1.2 Warranty Information

We provide a manufacturer's warranty for the product in accordance with our General Terms and Conditions of Business in the respective countries.

Warranty claims can only be made through the provider from whom the product was obtained.

### 1.3 Compliance

Quality is fundamental to the company's operation, working within the disciplines of ISO 13485.

This product features the CE mark, in compliance with the Medical Device Regulation 2017/745 Class I.

We are continuously working towards ensuring that the company's impact on the environment, locally and globally, is reduced to a minimum.

We only use REACH compliant materials and components.

### Product-specific Standards

The product has been tested and conforms to EN 12182 (Assistive products for persons with disability) and related standards. For further information about local standards and regulations, contact your local Invacare representative. See addresses at the end of this document.

### 1.4 Service Life

The expected service life of this product is three years when used daily and in accordance with the safety instructions, maintenance intervals and correct use, stated in this manual. The effective service life can vary according to frequency and intensity of use.

### 1.5 Limitation of Liability

Invacare accepts no liability for damage arising from:

- Non-compliance with the user manual
- Incorrect use
- Natural wear and tear
- Incorrect assembly or set-up by the purchaser or a third party
- Technical modifications
- Unauthorised modifications and/or use of unsuitable spare parts

## 2 Safety

### 2.1 Safety Information



#### WARNING!

##### Risk of Serious Injury or Damage

Improper use of this product may cause injury or damage.

- If you are unable to understand the warnings, cautions or instructions, contact a health care professional or provider before attempting to use this equipment.
- Do not use this product or any available optional equipment without first completely reading and understanding these instructions and any additional instructional material such as user manual, service manual or instruction sheet supplied with this product or optional equipment.



#### WARNING!

##### Risk of Falling

- Do not use if defective.
- Do not make any unauthorized alterations or modifications to the product.
- Do not stand on the product.
- Do not stand on the footrest.
- Do not lift the product on the armrest / footrest.
- Do not lift the product when under load.
- Use only on level ground and indoors.



#### WARNING!

- Before first use, clean the product thoroughly.
- Before every use, check the product for damage and ensure that it is securely assembled.



#### CAUTION!

##### Risk of Injury

Non-original or wrong parts may affect the function and safety of the product.

- Only use original parts for the product in use.
- Due to regional differences, refer to your local Invacare catalog or website for available options or contact your Invacare distributor. See addresses at the end of this document.

### 2.2 Labels and Symbols on the Product (Fig. 14)

Ⓐ	Manufacturer	Ⓒ	Lot number
Ⓑ	European Conformity	Ⓓ	Unique Device Identifier
Ⓒ	For use on level ground only	Ⓔ	Medical Device
Ⓓ	Read user manual	Ⓕ	Reference number
Ⓔ	Maximum user weight	Ⓖ	Product designation
Ⓕ	Production date		



The identification label is attached to the frame of the product.

## 3 Product Overview

### 3.1 Intended Use

Invacare Lima is a mobile shower- and toilet chair with a space-saving folding-frame, height adjustable footrests and

a toilet pan. The flip-up armrest, backrest and the seat plate are softly padded, the seat plate provides a hygiene cut-out whose opening can be positioned in four directions. The product is also available as a 24" wheels-model for self-propelling.

This mobile shower- and toilet chair is intended to support personal hygiene activities with or without assistance in institutional and household surroundings.

### Intended Users

Users are any adults and adolescents with restricted or limited mobility. If used without an assistant, the users must be able to keep their own balance.

### Indications

- Restricted or limited mobility (e.g. legs and/or hips) or
- having balance issues to stand up or walk due to transitional or permanent disabilities.

There are no contraindications known when using the product as intended. For the maximum user weight, see 8.1 Technical Data (Fig. 15), page 5.

## 3.2 Scope of Delivery (Fig. 1)

- Frame with backrest
- Seat plate
- Toilet pan
- Toilet pan holder
- Footrest (2x)
- Pelvic restrain belt plus screw and washer
- User manual

## 4 Setup (Fig. 2 — 7)



### CAUTION!

#### Risk of Pinching

– Take care during assembly.

1. Lift the carton ① and the frame with backrest ② out of the transport carton. (Fig. 2)
2. Open the shower and toilet chair by pushing down on the crossbraces ③. (Fig. 3)
3. Place toilet pan holder ④ onto the frame by inserting the four toilet pan holder hooks into the four holes on the frame tubing. Insert the toilet pan from the rear side. (Fig. 4)
4. Position seat ⑤ on frame and push down to lock seat onto frame. (Fig. 5)
5. Insert the top of the outward-facing footrest ⑦ into the frame of the shower and toilet chair. Then slide and push down to lock in place. (Fig. 6)
6. Prepare the procedure for the other footrest assembly. (Fig. 6)
7. Position the two pelvic restraint belts halves on the seat frame.
8. Install the two mounting screws and locknuts ⑧ to secure the two halves of the pelvic restraint belts to the seat frame. (Fig. 7)

## 5 Usage



### CAUTION!

#### Risk of Trapping/Squeezing

– Do not reach into the folding mechanism.  
– Do not put fingers between spokes or between wheel and seat.



### WARNING!

#### Risk of falling

– Apply the brakes in parked position and for transfer

## Unfolding the Shower and Toilet Chair (Fig. 3, 9, 4, 12, 13)

1. Open the shower and toilet chair by pushing down on the crossbraces ③. (Fig. 3)
2. Raise armrests for easier access to frame by squeezing the armrest release lever toward arm tubing and lift. (Fig. 9)
3. Place toilet pan holder onto the frame by inserting the four toilet pan holder hooks into the four holes on the frame tubing. Insert the toilet pan from the rear side. (Fig. 12)
4. Position the seat on the frame and push down to lock seat onto the frame. (Fig. 13)



The padded seat plates' opening may be positioned in any desired direction. (Fig. 13)

## Folding the Shower and Toilet Chair

1. Raise armrests for easier access to frame by squeezing the armrest releaser lever toward arm tubing and lift.
2. Remove seat plate from frame by pulling up on the seat.
3. Remove the toilet pan from the toilet pan holder.
4. Remove the toilet pan holder from the frame by lifting the four toilet holder hooks out of the four holes on the frame tubing.
5. Fold the shower and toilet chair by lifting up on the crossbraces.

## Adjusting the Footrests (Fig. 8)

1. Lift front of footplate up until footplate adjustment pin disengages from hole.
2. Slide footplate to alternate footplate adjustment height.
3. Push down on front of footplate until footplate adjustment pin engages into desired pin hole.

## Positioning Swing-Back Arms (Fig. 9)

1. Unlock the swing-back arm by pressing the arm release lever towards the arm frame.
2. Pull the front of the swing-back arm straight up/out of the arm socket and push back towards the rear of the shower and toilet chair.
3. To lock the swing-back arm, pull the swing-back arm forward and then push downward into the arm socket until an audible "click" is heard.

## Using the Wheel Locks

1. Ensure the shower and toilet chair is not moving before engaging the wheel locks.
2. To engage wheel locks, push the wheel lock handle forward.
3. Disengage the wheel locks by reversing step 2.

## Adjusting the Wheel Locks (Fig. 10)



### WARNING!

#### Risk of Injury

– This procedure must be performed only by a service person

1. Loosen the two socket screws that secure the wheel lock assembly to the shower and toilet chair.



Any wheel lock adjustment should embed the wheel lock shoe at least 5 mm into the tire when engaged.

2. Adjust the position of wheel lock until 5 mm measurement is obtained for correct wheel lock adjustment.
3. Securely tighten the two socket screws.
4. Engage the wheel lock and push against the toilet shower chair and determine if the wheel lock engages the wheel lock shoe enough to hold the shower and toilet chair.
5. Repeat the above sections until the wheel lock holds the shower and toilet chair.
6. Repeat the section for the opposite wheel lock.

## Engaging/Disengaging the Castor Locks (Fig. 11)



### CAUTION!

Risk of Trapping/Squeezing

- All castor locks are foot-operated. Do not operate the locks by hand.

1. To lock the castor locks step on the pedal until it engages.
2. To unlock the castor lift up the pedal until it disengages.

## Removing/Installing the Toilet Pan (Fig. 12)

1. Removing: From rear of the shower and toilet chair, slide the toilet pan out of the toilet pan holder.
2. Installing: From rear of the shower and toilet chair, slide the toilet pan into the toilet pan holder front first.

## 6 Maintenance

### 6.1 General Maintenance Information

This product is maintenance-free, provided that the cleaning and disinfection instructions are adhered to.

### 6.2 Cleaning and Disinfection

#### General Safety Information



### CAUTION!

Risk of Contamination

- Take precautions for yourself and use appropriate protective equipment.



### NOTICE!

Wrong fluids or methods can harm or damage the product.

- All cleaning agents and disinfectants used must be effective, compatible with one another and must protect the materials they are used to clean.
- Never use corrosive fluids (alkalines, acid etc.) or abrasive cleaning agents. We recommend an ordinary household cleaning agent such as dishwashing liquid, if not specified otherwise in the cleaning instructions.
- Never use a solvent (cellulose thinner, acetone etc.) that changes the structure of the plastic or dissolves the attached labels.
- Always make sure that the product is completely dried before taking it into use again.



For cleaning and disinfection in clinical or long-term care environments, follow your in-house procedures.

#### Cleaning Intervals



### NOTICE!

Regular cleaning and disinfection enhances smooth operation, increases the service life and prevents contamination. Clean and disinfect the product:

- regularly while in use,
- before and after any service procedure,
- when it has been in contact with any body fluids,
- before using it for a new user.

#### Cleaning Instructions



### NOTICE!

Maximum cleaning temperature:  
– 60 °C by hand

1. Clean the product by wiping down all generally accessible surfaces.
2. Dry the parts with a cloth.

## Disinfection Instructions

Method: Follow the application notes for the used disinfectant and wipe-disinfect all accessible surfaces.

Disinfectant: Ordinary household disinfectant.

Drying: Allow the product to air-dry.

## 7 After Use

### 7.1 Reconditioning

This product is suitable for reuse. To recondition the product for a new user, carry out the following actions:

- Inspection
- Cleaning and disinfection

For detailed information, see *6 Maintenance, page 5*.

Make sure that the user manual is handed over with the product.

If any damage or malfunction is detected, do not reuse the product.

### 7.2 Disposal

Be environmentally responsible and recycle this product through your recycling facility at its end of life.

Disassemble the product and its components, so the different materials can be separated and recycled individually.

The disposal and recycling of used products and packaging must comply with the laws and regulations for waste handling in each country. Contact your local waste management company for information.

## 8 Technical Data

### 8.1 Technical Data (Fig. 15)

Dimensions	H263	H273 (24" wheels)
Ⓐ	1050 mm	1120 mm
Ⓑ	460 mm	460 mm
Ⓒ	165 mm	165 mm
Ⓓ	570 mm	680 mm
Ⓔ	460 mm	460 mm
Ⓕ	475 mm	475 mm
Ⓖ	1000 mm	1000 mm
Ⓗ	780 mm	780 mm
Ⓘ	580 mm	580 mm
Ⓙ	210 mm	210 mm
Ⓚ	325 – 460 mm	325 – 460 mm
Height, ground to lower seat edge:		
• with holder for toilet pan	340 mm	340 mm
• without holder for toilet pan	535 mm	535 mm
Width, cut out in seat plate	190 mm	190 mm
Depth, cut out in seat plate	360 mm	360 mm

Dimensions	H263	H273 (24" wheels)
Total width, folded	225 mm	335 mm
Total depth, folded	1050 mm	1120 mm
Total height, folded	1000 mm	1000 mm
∅ Castors	5" (127 mm)	5" (127 mm)
∅ Drive wheel	—	24" (610 mm)
Width between the 24" wheels	—	550 mm

Weights	H263	H273 (24" wheels)
Weight	14.0 kg	18.5 kg
Maximum user weight	135 kg	135 kg

Materials	
Frame	Aluminium, corrosion-free
Seat plate	PUR
Toilet pan	PP

All product components are corrosion resistant and do not contain natural rubber latex.

## 8.2 Environmental Parameters

Operating Conditions	
Ambient temperature	10 - 40 °C
Relative humidity	15% - 93%, non-condensing
Storage and Shipping Conditions	
Ambient temperature	0 - 40 °C
Relative humidity	30% - 75%, non-condensing

# 1 Allgemein

## 1.1 Einleitung

Diese Gebrauchsanweisung enthält wichtige Informationen zur Handhabung des Produkts. Lesen Sie die Gebrauchsanweisung sorgfältig durch und befolgen Sie die Sicherheitsanweisungen, damit eine sichere Verwendung des Produkts gewährleistet ist.

Invacare behält sich das Recht vor, Produktspezifikationen ohne vorherige Ankündigung abzuändern.

Vergewissern Sie sich vor dem Lesen dieses Dokuments, dass Sie die aktuelle Fassung haben. Die jeweils aktuelle Fassung können Sie als PDF-Datei von der Invacare-Website herunterladen.

Wenn die gedruckte Ausführung des Dokuments für Sie aufgrund der Schriftgröße schwer zu lesen ist, können Sie die entsprechende PDF-Version von der Invacare-Website herunterladen. Sie können das PDF-Dokument dann auf dem Bildschirm so anzeigen, dass die Schriftgröße für Sie angenehmer ist.

Bei einem ernsthaften Vorfall mit dem Produkt informieren Sie bitte den Hersteller und die zuständige Behörde in Ihrem Land.

## 1.2 Garantieinformationen

Wir gewähren für das Produkt eine Herstellergarantie gemäß unseren Allgemeinen Geschäftsbedingungen für das entsprechende Land.

Garantieansprüche können nur über den Händler geltend gemacht werden, von dem das Produkt bezogen wurde.

## 1.3 Konformität

Qualität ist für das Unternehmen entscheidend. Alle Abläufe sind an den Anforderungen von ISO 13485 ausgerichtet.

Dieses Produkt ist mit dem CE-Kennzeichen versehen und erfüllt die europäische Verordnung 2017/745 über Medizinprodukte der Klasse I.

Wir setzen uns kontinuierlich dafür ein, die Umwelt durch unsere Unternehmenstätigkeit sowohl direkt vor Ort als auch weltweit möglichst wenig zu beeinträchtigen.

Wir verwenden ausschließlich REACH-konforme Materialien und Bauteile.

## Produktspezifische Normen

Dieses Produkt wurde getestet und entspricht der Norm DIN EN 12182 (Technische Hilfen für behinderte Menschen) sowie den einschlägigen Normen. Weitere Informationen zu lokalen Normen und Vorschriften erhalten Sie bei Ihrem Invacare-Vertreter vor Ort. Die entsprechenden Adressen finden Sie am Ende dieses Dokuments.

## 1.4 Nutzungsdauer

Die Nutzungsdauer dieses Produkts beträgt drei Jahre, vorausgesetzt, es wird täglich und in Übereinstimmung mit den in dieser Gebrauchsanweisung aufgeführten Sicherheitshinweisen, Wartungsintervallen und Nutzungshinweisen verwendet. Die tatsächliche Haltbarkeitsdauer kann abhängig von Häufigkeit und Intensität der Verwendung variieren.

## 1.5 Beschränkung der Haftung

Invacare übernimmt keine Haftung für Schäden aufgrund von:

- Nichteinhaltung der Gebrauchsanweisung
- falscher Verwendung
- normalem Verschleiß
- falscher Montage oder Einrichtung durch den Käufer oder einen Dritten
- technischen Änderungen
- unbefugten Änderungen bzw. Einsatz nicht geeigneter Ersatzteile

# 2 Sicherheit

## 2.1 Sicherheitsinformationen



### WARNUNG!

#### Gefahr von schweren Verletzungen oder Sachschäden

Die unsachgemäße Verwendung dieses Produkts kann zu Verletzungen oder Sachschäden führen.

- Falls Ihnen die Warnungen, Sicherheitshinweise und Anweisungen unverständlich sind, wenden Sie sich an einen Arzt oder den Anbieter, bevor Sie das Produkt verwenden.
- Verwenden Sie dieses Produkt oder optionales Zubehör erst, nachdem Sie diese Anweisungen und mögliches zusätzliches Anweisungsmaterial – wie die zum Produkt oder optionalen Zubehör gehörende(n) Gebrauchsanweisung, Servicehandbücher oder Merkblätter – vollständig gelesen und verstanden haben.

**WARNUNG!  
Sturzgefahr**

- Defekte Produkte nicht verwenden.
- Keine unbefugten Änderungen am Produkt vornehmen.
- Nicht auf das Produkt stellen.
- Nicht auf die Fußauflage stellen.
- Das Produkt nicht an der Armllehne oder an der Fußstütze anheben.
- Das Produkt unter Belastung nicht anheben.
- Nur auf ebenem Untergrund und nur in Innenräumen verwenden.

**WARNUNG!**

- Das Produkt vor der ersten Verwendung gründlich reinigen.
- Das Produkt vor jeder Verwendung auf Schäden überprüfen und sicherstellen, dass es ordnungsgemäß zusammengebaut ist.

**VORSICHT!  
Verletzungsgefahr**

- Teile, die nicht in Original-Qualität vorliegen, oder falsche Teile können die Funktion und Sicherheit des Produkts beeinträchtigen.
- Für das verwendete Produkt ausschließlich Originalteile verwenden.
  - Aufgrund regionaler Unterschiede ziehen Sie den Invacare-Katalog oder die Invacare-Website für Ihr Land zurate, um sich über verfügbare Optionen zu informieren, oder wenden Sie sich an Ihren Invacare-Anbieter. Die entsprechenden Adressen finden Sie am Ende dieses Dokuments.

**2.2 Etiketten und Symbole am Produkt (Abb. 14)**

Ⓐ	Hersteller	Ⓒ	Chargennummer
Ⓑ	CE-Kennzeichnung	Ⓓ	Produktidentifizierungsnummer
Ⓒ	Das Produkt nur auf ebenem Untergrund verwenden.	Ⓔ	Medizinprodukt
Ⓓ	Gebrauchsanweisung lesen	Ⓕ	Referenznummer
Ⓔ	Maximales Benutzergewicht	Ⓖ	Produktbezeichnung
Ⓕ	Produktionsdatum		



Das Typenschild ist am Rahmen des Produkts angebracht.

**3 Produktübersicht****3.1 Verwendungszweck**

Der mobile Dusch- und Toilettenstuhl Invacare Lima ist mit einem platzsparenden einklappbaren Rahmen, höhenverstellbaren Fußstützen und einem Toilettentopf ausgestattet. Die hochklappbare Armllehne, die Rückenlehne und die Sitzplatte sind weich gepolstert. Die Sitzplatte verfügt über einen Hygieneausschnitt, der in alle vier Richtungen ausgerichtet werden kann. Das Produkt ist auch als Selbstfahrer-Ausführung mit 24"-Rädern erhältlich.

Dieser mobile Dusch- und Toilettenstuhl dient der Unterstützung von Aktivitäten der Körperpflege mit oder ohne Unterstützung im institutionellen wie im häuslichen Umfeld.

**Vorgesehener Benutzerkreis**

Zum vorgesehenen Benutzerkreis zählen Erwachsene und Jugendliche mit Mobilitätseinschränkungen. Bei Verwendung ohne Begleitperson müssen Benutzer in der Lage sein, das Gleichgewicht zu halten.

**Indikationen**

- Mobilitätseinschränkungen (z. B. Beine und/oder Hüften) oder
- Gleichgewichtsprobleme beim Aufstehen oder Gehen aufgrund vorübergehender oder dauerhafter Behinderungen.

Bei bestimmungsgemäßem Gebrauch dieses Produkts sind keine Gegenanzeigen bekannt. Hinsichtlich des maximal zulässigen Benutzergewichts siehe *8.1 Technische Daten (Abb. 15), Seite 9*.

**3.2 Lieferumfang (Abb. 1)**

- Rahmen mit Rückenlehne
- Sitzplatte
- Toilettentopf
- Toilettentopfhalterung
- Fußauflage (2x)
- Beckengurt mit Schraube und Unterlegscheibe
- Gebrauchsanweisung

**4 Montage (Abb. 2 bis 7)****VORSICHT!****Einklemmgefahr**

- Vorsicht bei der Montage.

1. Den Karton ① und den Rahmen mit der Rückenlehne ② aus dem Versandkarton heben. (Abb. 2)
2. Den Dusch- und Toilettenstuhl durch Herunterdrücken der Kreuzstreben ③ öffnen. (Abb. 3)
3. Die Toilettentopfhalterung ④ durch Einsetzen der vier Haken der Toilettentopfhalterung in die vier Löcher an den Rahmenrohren am Rahmen anbringen. Den Toilettentopf von der Rückseite her einsetzen. (Abb. 4)
4. Den Sitz ⑥ auf dem Rahmen positionieren und nach unten drücken, um den Sitz am Rahmen zu fixieren. (Abb. 5)
5. Den Zapfen ⑦ der nach außen weisenden Fußauflage in den Rahmen des Dusch- und Toilettenstuhls einsetzen. Anschließend die Fußauflage nach unten schieben und drücken, um sie einzurasten. (Abb. 6)
6. Das Verfahren für die andere Fußauflagenbaugruppe wiederholen. (Abb. 6)
7. Die zwei Hälften des Beckenrückhaltegurts am Sitzrahmen positionieren.
8. Die zwei Hälften des Beckenrückhaltegurts mit den beiden Befestigungsschrauben und Kontermuttern ⑧ am Sitzrahmen fixieren. (Abb. 7)

**5 Verwendung****VORSICHT!****Einklemmungs- und Quetschungsgefahr**


- Nicht in den Klappmechanismus greifen.
- Die Finger nicht zwischen die Speichen oder zwischen Rad und Sitz gelangen lassen.

**WARNUNG!****Sturzgefahr**

- In Parkposition und für den Transfer die Bremsen aktivieren.

### Auseinanderklappen des Dusch- und Toilettenstuhls (Abb. 3, 9, 4, 12, 13)

1. Den Dusch- und Toilettenstuhl durch Herunterdrücken der Kreuzstreben ③ öffnen. (Abb. 3)
2. Die Armlehnen anheben, um besser an den Rahmen zu gelangen. Hierzu den Entriegelungshebel der Armlehne gegen das Armlehnrohr drücken und die Armlehne anheben. (Abb. 9)
3. Die Toilettentopfhalterung durch Einsetzen der vier Haken der Toilettentopfhalterung in die vier Löcher an den Rahmenrohren am Rahmen anbringen. Den Toilettentopf von der Rückseite her einsetzen. (Abb. 12)
4. Den Sitz auf dem Rahmen positionieren und nach unten drücken, um den Sitz am Rahmen zu fixieren. (Abb. 13)

 Die Öffnung in der gepolsterten Sitzplatte kann nach Belieben ausgerichtet werden. (Abb. 13)

### Einklappen des Dusch- und Toilettenstuhls

1. Die Armlehnen anheben, um besser an den Rahmen zu gelangen. Hierzu den Entriegelungshebel der Armlehne gegen das Armlehnrohr drücken und die Armlehne anheben.
2. Die Sitzplatte durch Hochziehen des Sitzes vom Rahmen entfernen.
3. Den Toilettentopf aus der Toilettentopfhalterung entnehmen.
4. Die Toilettentopfhalterung durch Anheben der vier Haken der Toilettentopfhalterung aus den vier Löchern an den Rahmenrohren vom Rahmen abnehmen.
5. Den Dusch- und Toilettenstuhl durch Anheben an den Kreuzstreben einklappen.

### Einstellen der Fußauflagen (Abb. 8)

1. Die Fußplatte an der Vorderkante anheben, bis sich der Fußplatteneinstellungsstift aus dem Loch löst.
2. Die Fußplatte auf die gewünschte Fußplatteneinstellhöhe verschieben.
3. Die Fußplatte an der Vorderkante herunterdrücken, bis der Fußplatteneinstellungsstift im gewünschten Loch sitzt.


### Positionieren der zurückschwenkbaren Armlehnen (Abb. 9)

1. Die zurückschwenkbare Armlehne durch Drücken des Entriegelungshebels der Armlehne gegen den Armlehnrahmen entriegeln.
2. Das vordere Rohr der zurückschwenkbaren Armlehne gerade nach oben und aus der Aufnahme ziehen und zur Rückseite des Dusch- und Toilettenstuhl hin zurückdrücken.
3. Zum Arretieren der zurückschwenkbaren Armlehne diese nach vorne ziehen und nach unten in die Aufnahme für den Armlehne drücken, bis die Armlehne hörbar einrastet.


### Verwendung der Feststellbremsen

1. Vor dem Aktivieren der Feststellbremsen sicherstellen, dass sich der Dusch-/Toilettenstuhl nicht bewegt.
2. Zum Aktivieren der Feststellbremsen den Hebel der Feststellbremse nach vorne drücken.
3. Zum Lösen der Feststellbremsen Schritt 2 in umgekehrter Reihenfolge ausführen.

### Einstellen der Feststellbremsen (Abb. 10)

 **WARNUNG!**  
Verletzungsgefahr  
– Dieser Vorgang darf nur von einem Servicetechniker ausgeführt werden.

1. Die zwei Inbusschrauben lösen, mit denen die Feststellbremsenbaugruppe am Dusch-/Toilettenstuhl angebracht ist.

 Die Feststellbremse muss so eingestellt werden, dass die Bremsbacke den Reifen bei aktivierter Feststellbremse mindestens 5 mm tief eindrückt.

2. Die Position der Feststellbremse anpassen, bis der für eine korrekte Einstellung der Feststellbremse erforderliche Wert von 5 mm erreicht ist.
3. Die zwei Inbusschrauben fest und sicher anziehen.
4. Die Feststellbremse anziehen und gegen den Dusch- und Toilettenstuhl drücken, um zu kontrollieren, dass die Bremsbacke durch die Feststellbremse fest genug angezogen wird, um den Dusch- und Toilettenstuhl zu immobilisieren.
5. Die vorstehenden Abschnitte wiederholen, bis die Feststellbremse den Dusch-/Toilettenstuhl zuverlässig immobilisiert.
6. Die Vorgehensweise für die gegenüberliegende Feststellbremse wiederholen.

### Arretieren/Entsperren der Schwenkrollenverriegelungen (Abb. 11)



#### VORSICHT!

Einklemmungs- und Quetschungsgefahr  
– Alle Schwenkrollenverriegelungen werden per Fuß bedient. Die Verriegelung nicht von Hand betätigen.

1. Zum Arretieren der Schwenkrollenverriegelungen auf das Pedal treten, bis sie einrasten.
2. Zum Entsperren der Schwenkrolle das Pedal anheben, bis sich die Verriegelung löst.

### Entnehmen/Einsetzen des Toilettentopfs (Abb. 12)

1. Entnehmen: Den Toilettentopf von der Rückseite des Dusch- und Toilettenstuhls her aus der Toilettentopfhalterung herauschieben.
2. Einsetzen: Den Toilettentopf mit der Vorderkante zuerst von der Rückseite des Dusch- und Toilettenstuhls her in die Toilettentopfhalterung schieben.

## 6 Instandhaltung

### 6.1 Allgemeine Hinweise zur Instandhaltung

Für dieses Produkt ist keine Wartung erforderlich, wenn die unten aufgeführten Reinigungs- und Desinfektionsanweisungen beachtet werden.

### 6.2 Reinigung und Desinfektion

#### Allgemeine Sicherheitsinformationen



#### VORSICHT!

#### Kontaminationsgefahr

– Vorkehrungen für sich selbst treffen und geeignete Schutzausrüstung verwenden.





### HINWEIS!

Falsche Reinigungsmethoden oder -flüssigkeiten können zu einer Beschädigung des Produkts führen.

- Alle verwendeten Reinigungs- und Desinfektionsmittel müssen wirksam und miteinander verträglich sein und das Material schützen, das mit ihnen gereinigt wird.
- Keinesfalls korrodierende Flüssigkeiten (Laugen, Säuren usw.) oder scheuernde Reinigungsmittel verwenden. Wenn in der Reinigungsanweisung nichts anderes angegeben ist, empfehlen wir ein handelsübliches Haushaltsreinigungsmittel (z. B. Geschirrspülmittel).
- Niemals Lösungsmittel (Nitroverdünnung, Aceton usw.) verwenden, die die Struktur des Kunststoffs verändern oder die angebrachten Etiketten angreifen.
- Immer sicherstellen, dass das Produkt absolut trocken ist, bevor es wieder in Gebrauch genommen wird.



Zur Reinigung und Desinfektion in Langzeitpflegeumgebungen oder klinischen Umgebungen die internen Verfahren beachten.

## Reinigungsintervalle



### HINWEIS!

Regelmäßige Reinigung und Desinfektion sorgen für einen reibungslosen Betrieb, verlängern die Nutzungsdauer und verhindern Verunreinigungen. Reinigen und desinfizieren Sie das Produkt:

- regelmäßig, sofern es verwendet wird,
- vor und nach jeder Wartung,
- nach Kontakt mit Körperflüssigkeiten,
- vor Benutzung durch einen neuen Patienten.

## Reinigungsanweisungen



### HINWEIS!

Maximale Reinigungstemperatur:  
– 60 °C von Hand

1. Reinigen Sie das Produkt, indem Sie alle direkt zugänglichen Oberflächen abwischen.
2. Trocknen Sie die Teile mit einem Tuch.

## Desinfektionsanweisungen

Methode: Befolgen Sie die Anwendungshinweise des verwendeten Desinfektionsmittels und desinfizieren Sie alle zugänglichen Flächen.

Desinfektionsmittel: Haushaltsübliches Desinfektionsmittel

Trocknen: Das Produkt an der Luft trocknen lassen.

## 7 Nach dem Gebrauch

### 7.1 Wiederaufbereitung

Dieses Produkt ist für die wiederholte Verwendung geeignet. Um das Produkt für einen neuen Benutzer wiederaufzubereiten, sind die folgenden Maßnahmen zu ergreifen:

- Prüfung
- Reinigung und Desinfektion

Detaillierte Informationen siehe 6 *Instandhaltung*, Seite 8 .

Stellen Sie sicher, dass die Gebrauchsanweisung zusammen mit dem Produkt übergeben wird.

Das Produkt darf nicht wiederholt verwendet werden, wenn es beschädigt ist oder Funktionsstörungen vorliegen.

## 7.2 Entsorgung

Handeln Sie umweltbewusst, und lassen Sie dieses Produkt nach dem Ende seiner Lebensdauer über eine lokale Müllverwertungsanlage recyceln.

Demontieren Sie das Produkt und seine Bauteile, damit die verschiedenen Materialien einzeln getrennt und recycelt werden können.

Die Entsorgung und das Recycling von gebrauchten Produkten und Verpackungen müssen in Übereinstimmung mit den einschlägigen Gesetzen und Vorschriften des jeweiligen Landes zur Abfallentsorgung erfolgen. Wenden Sie sich an Ihr Abfallentsorgungsunternehmen, wenn Sie weitere Informationen wünschen.

## 8 Technische Daten

### 8.1 Technische Daten (Abb. 15)

Abmessungen	H263	H273 (24"-Räder)
Ⓐ	1050 mm	1120 mm
Ⓑ	460 mm	460 mm
Ⓒ	165 mm	165 mm
Ⓓ	570 mm	680 mm
Ⓔ	460 mm	460 mm
Ⓕ	475 mm	475 mm
Ⓖ	1000 mm	1000 mm
Ⓗ	780 mm	780 mm
Ⓘ	580 mm	580 mm
Ⓝ	210 mm	210 mm
Ⓚ	325 mm – 460 mm	325 mm – 460 mm
Abstand (vertikal) zwischen Boden und unterer Sitzkante:	340 mm	340 mm
<ul style="list-style-type: none"> <li>• mit Toiletten-schüssel-halterung</li> <li>• ohne Toiletten-schüssel-halterung</li> </ul>	535 mm	535 mm
Breite, Öffnung in der Sitzplatte	190 mm	190 mm
Tiefe, Öffnung in der Sitzplatte	360 mm	360 mm
Gesamtbreite, zusammengeklappt	225 mm	335 mm
Gesamttiefe (eingeklappt)	1050 mm	1120 mm
Gesamthöhe (eingeklappt)	1000 mm	1000 mm
∅ Schwenkrollen	5" (127 mm)	5" (127 mm)

Abmessungen	H263	H273 (24"-Räder)
Ø Antriebsrad	—	24" (610 mm)
Abstand (horizontal) zwischen den 24"-Rädern	—	550 mm

Gewichtsangaben	H263	H273 (24"-Räder)
Gewicht	14,0 kg	18,5 kg
Maximales Benutzergewicht	135 kg	135 kg

Materialien	
Rahmen	Korrosionsbeständiges Aluminium
Sitzplatte	PUR
Toilettentopf	PP

Alle Komponenten des Produkts sind korrosionsbeständig und enthalten kein Naturkautschuklatex.

## 8.2 Umweltparameter

Betriebsbedingungen	
Umgebungstemperatur	10 – 40 °C
Relative Luftfeuchtigkeit	15 % – 93 %, nicht kondensierend
Transport- und Lagerbedingungen	
Umgebungstemperatur	0 – 40 °C
Relative Luftfeuchtigkeit	30 % bis 75 %, nicht kondensierend

fr

# 1 Généralités

## 1.1 Introduction

Le présent manuel d'utilisation contient des informations importantes sur la manipulation du produit. Pour garantir une utilisation en toute sécurité du produit, lisez attentivement le manuel d'utilisation et respectez les instructions de sécurité.

Invacare se réserve le droit de modifier les caractéristiques des produits sans préavis.

Avant de lire ce document, assurez-vous de disposer de la version la plus récente. Cette version est disponible au format PDF sur le site Internet d'Invacare.

Si la taille des caractères de la version imprimée du document vous semble trop difficile à lire, vous pouvez télécharger la version PDF sur le site Internet. Vous pourrez alors ajuster la taille des caractères à l'écran pour améliorer votre confort visuel.

En cas d'incident grave avec le produit, vous devez en informer le fabricant et l'autorité compétente de votre pays.

## 1.2 Informations de garantie

Nous fournissons une garantie fabricant pour le produit, conformément à nos conditions générales de vente en vigueur dans les différents pays.

Les réclamations au titre de la garantie ne peuvent être adressées qu'au fournisseur auprès duquel le produit a été obtenu.

## 1.3 Conformité

La qualité est un élément fondamental du fonctionnement de notre entreprise, qui travaille conformément à la norme ISO 13485.

Ce produit porte le label CE et est conforme à la Réglementation sur les dispositifs médicaux de classe I 2017/745.

Nous nous efforçons en permanence de réduire au minimum notre impact sur l'environnement, à l'échelle locale et mondiale.

Nous n'utilisons que des matériaux et composants conformes au règlement REACH.

## Normes spécifiques au produit

Ce produit a été testé et reconnu conforme à la norme EN 12182 (Produits d'assistance pour personnes handicapées) et à toutes les normes associées. Pour des informations complémentaires sur les normes et réglementations locales, contactez un représentant Invacare. Reportez-vous aux adresses indiquées à la fin du présent document.

## 1.4 Durée de vie

La durée de vie attendue de ce produit est de trois ans lorsqu'il est utilisé quotidiennement et dans le respect des consignes de sécurité, des intervalles de maintenance et avec une utilisation correcte, comme indiqué dans le présent manuel. La durée de vie effective peut varier en fonction de la fréquence et de l'intensité de l'utilisation.

## 1.5 Limitation de responsabilité

Invacare décline toute responsabilité en cas de dommage lié à :

- un non respect du manuel d'utilisation,
- une utilisation incorrecte,
- l'usure normale,
- un assemblage ou montage incorrect par l'acheteur ou des tiers,
- des modifications techniques,
- des modifications non autorisées et/ou l'utilisation de pièces de rechange inadaptées.

# 2 Sécurité

## 2.1 Informations de sécurité



### AVERTISSEMENT !

#### Risque de dommage matériel ou de blessure grave

Une utilisation inadéquate de ce produit est susceptible d'entraîner des blessures ou des dommages matériels.

- Si vous ne comprenez pas les avertissements, mises en garde ou instructions, contactez un professionnel de santé ou un fournisseur avant d'essayer d'utiliser cet équipement.
- N'utilisez pas ce produit ni tout autre équipement disponible en option sans avoir lu et compris entièrement les présentes instructions et toute autre documentation d'instructions supplémentaire, telle que le manuel d'utilisation, les manuels de maintenance ou fiches d'instructions fournis avec ce produit ou l'équipement en option.

**AVERTISSEMENT !****Risque de chute**

- N'utilisez pas le produit s'il est défectueux.
- N'effectuez aucune modification ou transformation non autorisées du produit.
- Ne vous mettez pas debout sur le produit.
- Ne vous mettez pas debout sur le repose-pied.
- Ne levez pas le produit au niveau des accoudoirs/des repose-pieds.
- Ne soulevez pas le produit lorsqu'il est sous charge.
- Utilisez-le uniquement à l'intérieur et sur un sol plat.

**AVERTISSEMENT !**

- Avant la première utilisation, nettoyez soigneusement le produit.
- Avant chaque utilisation, assurez-vous que le produit n'est pas endommagé et qu'il est correctement monté.

**ATTENTION !****Risque de blessure**

- Des pièces non adaptées ou qui ne sont pas d'origine peuvent affecter le fonctionnement et la sécurité du produit.
- Utilisez uniquement les pièces d'origine du produit utilisé.
  - En raison de différences régionales, vous devez vous reporter au site Internet ou au catalogue Invacare de votre pays pour connaître les options disponibles ; vous pouvez également contacter votre distributeur Invacare. Reportez-vous aux adresses indiquées à la fin du présent document.

**2.2 Étiquettes et symboles figurant sur le produit (Fig. 14)**

(A)	Fabricant	(G)	Numéro de lot
(B)	Conformité européenne	(H)	Identificateur unique de dispositif
(C)	À utiliser uniquement sur un sol uniforme	(I)	Dispositif médical
(D)	Consultez le manuel d'utilisation	(J)	Numéro de référence
(E)	Poids maximal de l'utilisateur	(K)	Désignation du produit
(F)	Date de production		



L'autocollant d'identification est fixé au châssis du produit.

**3 Présentation du produit****3.1 Utilisation prévue**

La chaise mobile de douche et de toilettes Invacare Lima est équipée d'un châssis pliant permettant un gain de place, de repose-pieds réglables en hauteur et d'un seau. L'accoudoir et le dossier relevables, ainsi que la plaque d'assise sont confortablement rembourrés, la plaque d'assise comporte une découpe d'hygiène dont l'ouverture peut être positionnée dans quatre directions différentes. Ce produit est également disponible en tant que modèle de roues 24" pour le déplacement manuel.

Cette chaise mobile de douche et de toilettes est destinée à aider à des activités d'hygiène corporelle avec ou sans assistance, dans des établissements et à la maison.

**Utilisateurs prévus**

Les utilisateurs sont des adultes et des adolescents dont la mobilité est restreinte ou limitée. Sans l'aide d'une tierce-personne, les utilisateurs doivent être en mesure de garder leur équilibre.

**Indications**

- Mobilité réduite ou limitée (jambes et/ou hanches, par ex.) ou
- Problèmes d'équilibre pour se lever ou marcher en raison d'un handicap transitoire ou permanent.

Il n'existe aucune contre-indication connue, lorsque le produit est utilisé comme prévu. Pour connaître le poids maximal autorisé de l'utilisateur, reportez-vous aux 8.1 *Caractéristiques techniques (Fig. 15), page 13.*

**3.2 Contenu (Fig. 1)**

- Châssis avec dossier
- Plaque d'assise
- Cuvette de toilettes
- Support de chaise percée
- Repose-pieds (2x)
- Ceinture de maintien pelvien plus vis et rondelle
- Manuel d'utilisation

**4 Mise en place (Fig. 2 à 7)****ATTENTION !****Risque de pincement**

- Procédez avec précaution lors du montage.

1. Soulevez le carton ① et l'ensemble châssis et dossier ② hors du carton de transport. (Fig. 2)
2. Ouvrez la chaise de douche et de toilettes en poussant vers le bas sur les croisillons ③. (Fig. 3)
3. Placez le support de cuvette de toilettes ④ sur le châssis en insérant les quatre crochets du support de cuvette de toilettes dans les quatre trous du tube du châssis. Insérez la cuvette de toilettes par le côté arrière. (Fig. 4)
4. Positionnez le siège ⑥ sur le châssis et poussez vers le bas pour verrouiller le siège sur le châssis. (Fig. 5)
5. Insérez la partie supérieure du repose-pieds orienté vers l'extérieur ⑦ dans le châssis de la chaise de douche et de toilettes. Puis faites coulisser et pousser vers le bas pour verrouiller l'ensemble. (Fig. 6)
6. Préparez le montage de l'autre repose-pied. (Fig. 6)
7. Positionnez les deux moitiés de ceintures de maintien pelvien sur le châssis de l'assise.
8. Installez les deux vis de montage et les contre-écrous ⑧ pour fixer les deux moitiés des ceintures de maintien pelvien sur le châssis de l'assise. (Fig. 7)

**5 Utilisation****ATTENTION !****Risque de coincement/pincement**


- Ne touchez pas le mécanisme de pliage.
- Ne mettez pas les doigts entre les rayons ou entre la roue et le siège.

**AVERTISSEMENT !****Risque de chute**

- Serrez les freins en position de stationnement et de transfert

### Dépliage de la chaise de douche et de toilettes (Fig. 3, 9, 4, 12, 13)

1. Ouvrez la chaise de douche et de toilettes en poussant vers le bas sur les croisillons ③. (Fig. 3)
2. Levez les accoudoirs pour faciliter l'accès au châssis : serrez le levier de déverrouillage des accoudoirs vers le tube d'accoudoir et soulevez. (Fig. 9)
3. Placez le support de cuvette de toilettes sur le châssis en insérant les quatre crochets du support de cuvette de toilettes dans les quatre trous du tube du châssis. Insérez la cuvette de toilettes par le côté arrière. (Fig. 12)
4. Positionnez le siège sur le châssis et poussez vers le bas pour verrouiller le siège sur le châssis. (Fig. 13)

 L'ouverture des plaques d'assise rembourrées peut être positionnée dans la direction souhaitée. (Fig. 13)

### Pliage de la chaise de douche et de toilettes

1. Levez les accoudoirs pour faciliter l'accès au châssis : serrez le levier de déverrouillage des accoudoirs vers le tube d'accoudoir et soulevez.
2. Retirez la plaque d'assise du châssis en tirant sur le siège vers le haut.
3. Retirez la cuvette de toilettes du support de cuvette de toilettes.
4. Retirez le support de cuvette de toilettes du châssis en élevant les quatre crochets du support de cuvette de toilettes hors des quatre trous du tube du châssis.
5. Pliez la chaise de douche et de toilettes en soulevant les croisillons.

### Réglage du repose-pieds (Fig. 8)

1. Soulevez l'avant du repose-pieds jusqu'à ce que la broche de réglage de la palette repose-pieds soit libérée du trou.
2. Faites glisser la palette repose-à la hauteur de réglage souhaitée.
3. Appuyez sur l'avant de la palette repose-pieds jusqu'à ce que la goupille de réglage de la palette repose-pieds s'enclenche dans le trou souhaité sur la broche

### Positionnement des bras escamotables (Fig. 9)

1. Déverrouillez le bras escamotable en appuyant sur le levier de déverrouillage du bras en direction du châssis du bras.
2. Tirez l'avant du bras escamotable vers le haut/vers l'extérieur du support d'accoudoir et poussez vers l'arrière de la chaise de douche et de toilettes.
3. Pour verrouiller le bras escamotable, tirez le bras escamotable vers l'avant, puis poussez vers le bas dans le support d'accoudoir jusqu'à ce qu'un déclic se fasse entendre.

### Utilisation des freins de roue

1. Assurez-vous que la chaise roulante pour douche/toilettes ne bouge pas avant de serrer le frein de roue.
2. Pour serrer les freins de roue, poussez vers l'avant la poignée du frein de roue.
3. Desserrez les freins de roue en reprenant l'étape 2 dans l'ordre inverse.

### Réglage des freins de roue (Fig. 10)



#### AVERTISSEMENT !

Risque de blessure

– Cette procédure doit être réalisée uniquement par un technicien de maintenance

1. Desserrez les deux vis à douille qui fixent le dispositif de frein de roue à la chaise roulante pour douche/toilettes.



Quel que soit le réglage du frein de roue, il faut que le patin du frein de roue s'enfonce d'au moins 5 mm dans le pneu lors du freinage.

2. Réglez la position du frein de roue de façon à atteindre ces 5 mm pour que le frein de roue soit correctement réglé.
3. Vissez fermement les deux vis à douille.
4. Serrez le frein de roue et exercez une poussée sur la chaise de douche et de toilettes afin de vérifier si le frein de roue appuie suffisamment sur le patin du frein de roue pour bloquer la chaise de douche et de toilettes.
5. Recommencez les opérations mentionnées ci-dessus jusqu'à ce que le frein de roue bloque la chaise roulante pour douche/toilettes.
6. Effectuez les mêmes opérations pour régler le frein de roue opposé.

### Serrage/desserrage des freins de roulettes (Fig. 11)



#### ATTENTION !

Risque de coincement/pincement

– Tous les dispositifs de verrouillage des roulettes sont actionnés au pied. N'actionnez pas les freins à la main.

1. Pour serrer les freins de roulettes, appuyez avec le pied sur la pédale jusqu'à ce qu'elle s'enclenche.
2. Pour libérer la roulette, soulevez la pédale jusqu'à ce qu'elle se dégage.

### Démontage/installation de la cuvette de toilettes (Fig. 12)

1. Démontage : À partir de l'arrière de la chaise de douche et de toilettes, faites glisser la cuvette de toilettes hors du support de cuvette de toilettes.
2. Installation : À partir de l'arrière de la chaise de douche et de toilettes, faites glisser la cuvette de toilettes dans le support de cuvette de toilettes en commençant par l'avant.

## 6 Maintenance

### 6.1 Informations de maintenance générales

Aucune maintenance de ce produit n'est nécessaire si les instructions de nettoyage et de désinfection sont respectées.

### 6.2 Nettoyage et désinfection

#### Informations de sécurité générales



#### ATTENTION !

Risque de contamination

– Prenez toutes les précautions nécessaires pour vous protéger et portez un équipement de protection adéquat.



#### AVIS !


Des méthodes ou des liquides inappropriés risqueraient de blesser quelqu'un ou d'endommager le produit.

– Tous les désinfectants et agents de nettoyage utilisés doivent être efficaces, compatibles entre eux et protéger les surfaces qu'ils sont censés nettoyer.

– N'utilisez jamais d'agents de nettoyage corrosifs (alcalins, acides, etc.) ou abrasifs. Nous recommandons d'utiliser un agent de nettoyage ménager ordinaire, comme du liquide vaisselle, sauf indication contraire dans les instructions de nettoyage.

– N'utilisez jamais de solvant (diluants cellulose, acétone, etc.) qui modifie la structure du plastique ou dissout les étiquettes apposées.

– Procédez à un séchage complet du produit avant toute nouvelle utilisation.

 Pour le nettoyage et la désinfection en environnement clinique ou de soins à long terme, suivez les procédures internes.

## Fréquence de nettoyage

**! AVIS !**  
Une désinfection et un nettoyage réguliers garantissent un bon fonctionnement, augmentent la durée de vie et permettent d'éviter toute contamination. Une désinfection et un nettoyage réguliers garantissent un bon fonctionnement, augmentent la durée de vie et permettent d'éviter toute contamination.

- régulièrement lors de l'utilisation,
- avant et après toute procédure d'entretien,
- lorsqu'il a été en contact avec des fluides corporels, quels qu'ils soient,
- avant de l'utiliser pour un nouvel utilisateur.

## Instructions de nettoyage

**! NOTE !**  
Température maximale de nettoyage :  
– 60 °C à la main

1. Nettoyez le produit, essuyez toutes les surfaces généralement accessibles.
2. Essuyez les pièces avec un chiffon sec.

## Instructions de désinfection

Méthode : suivez les consignes d'application du désinfectant utilisé et essuyez toutes les surfaces accessibles pour les désinfecter.

Désinfectant : désinfectant ordinaire à usage domestique.

Séchage : Laissez sécher le produit à l'air.

## 7 Après l'utilisation

### 7.1 Reconditionnement

Ce produit peut être réutilisé. Pour reconditionner le produit en vue de son utilisation par un nouvel utilisateur, il convient d'effectuer les opérations suivantes :

- Inspection
- Nettoyage et désinfection

Reportez-vous à la section 6 *Maintenance*, page 12 pour plus d'informations.

Assurez-vous de remettre le manuel d'utilisation avec le produit.

Si un dommage ou un dysfonctionnement est détecté, le produit ne doit pas être réutilisé.

### 7.2 Mise au rebut

Préservez l'environnement en faisant recycler ce produit en fin de vie dans un centre de recyclage.

Désassemblez le produit et ses composants afin que les différents matériaux puissent être séparés et recyclés individuellement.

La mise au rebut et le recyclage des produits usagés et de l'emballage doivent respecter la législation et les règlements relatifs à la gestion des déchets de chaque pays. Contactez votre organisme local de traitement des déchets pour plus d'informations.

## 8 Caractéristiques Techniques

### 8.1 Caractéristiques techniques (Fig. 15)

Dimensions	H263	H273 (roues 24")
Ⓐ	1 050 mm	1 120 mm
Ⓑ	460 mm	460 mm
Ⓒ	165 mm	165 mm
Ⓓ	570 mm	680 mm
Ⓔ	460 mm	460 mm
Ⓕ	475 mm	475 mm
Ⓖ	1 000 mm	1 000 mm
Ⓗ	780 mm	780 mm
Ⓘ	580 mm	580 mm
Ⓙ	210 mm	210 mm
Ⓚ	325 — 460 mm	325 — 460 mm
Hauteur, du sol au bord inférieur du siège :		
• avec support pour cuvette de toilettes	340 mm	340 mm
• sans support pour cuvette de toilettes	535 mm	535 mm
Largeur, découpe de la plaque d'assise	190 mm	190 mm
Profondeur, découpe de la plaque d'assise	360 mm	360 mm
Largeur totale, plié	225 mm	335 mm
Profondeur totale, plié	1 050 mm	1 120 mm
Hauteur totale, plié	1 000 mm	1 000 mm
∅ roulettes	5" (127 mm)	5" (127 mm)
∅ Roue motrice	—	24" (610 mm)
Largeur entre les roues 24"	—	550 mm

Poids	H263	H273 (roues 24")
Poids	14,0 kg	18,5 kg
Poids maximal de l'utilisateur	135 kg	135 kg

Matériaux	
Châssis	Aluminium, sans corrosion
Plaque d'assise	PUR
Seau	PP

Tous les composants du produit sont résistants à la corrosion et exempts de latex de caoutchouc naturel.

## 8.2 Paramètres environnementaux

Conditions de fonctionnement	
Température ambiante	10 °C - 40 °C
Humidité relative	15 % - 93 %, sans condensation
Conditions de stockage et de transport	
Température ambiante	0 °C - 40 °C
Humidité relative	30 % - 75 %, sans condensation

it

## 1 Generale

### 1.1 Introduzione

Il presente manuale d'uso contiene informazioni importanti sul trattamento del prodotto. Per garantire la sicurezza di utilizzo del prodotto, leggere attentamente il manuale d'uso e seguire le istruzioni di sicurezza.

Invacare si riserva il diritto di modificare le specifiche del prodotto senza ulteriore preavviso.

Prima di leggere il presente documento, verificare di essere in possesso dell'ultima versione, disponibile in formato PDF sul sito web Invacare.

Se si ritiene che la dimensione dei caratteri nella versione cartacea del documento sia di difficile lettura, è possibile scaricare dal sito web la versione in formato PDF. Il PDF può essere ingrandito sullo schermo in modo da ottenere una dimensione dei caratteri più facile da leggere.

In caso di incidente grave relativo al prodotto, è necessario informare il produttore e l'autorità competente nel proprio paese.

### 1.2 Informazioni sulla garanzia

Offriamo una garanzia del produttore per il prodotto in conformità di quanto indicato sui Termini e le condizioni generali di vendita applicabili nei rispettivi paesi.

La garanzia può essere fatta valere solo attraverso il fornitore presso il quale è stato acquistato il prodotto.

### 1.3 Conformità

La qualità è fondamentale per l'azienda, che opera nel rispetto e nell'ambito della norma ISO 13485.

Il prodotto è dotato di marchio CE, in conformità al Regolamento Dispositivi Medici 2017/745 Classe I.

Lavoriamo costantemente per garantire che l'impatto ambientale dell'azienda a livello locale e globale sia ridotto al minimo.

Garantiamo di utilizzare esclusivamente materiali e componenti conformi alla direttiva REACH.

### Standard specifici per il prodotto

Il prodotto è stato testato ed è conforme a EN 12182 (Prodotti di assistenza per disabili) e agli standard correlati. Per ulteriori informazioni sulle norme e sulle disposizioni locali, contattare il rappresentante locale Invacare. Vedere gli indirizzi alla fine del presente documento.

### 1.4 Durata

La durata prevista per questo prodotto è di tre anni, a condizione che sia utilizzato quotidianamente e in conformità alle istruzioni per la sicurezza, seguendo gli intervalli di manutenzione e le indicazioni per un uso corretto come

indicato nel presente manuale. La durata effettiva può variare a seconda della frequenza e dell'intensità d'uso.

## 1.5 Limiti di responsabilità

Invacare non si assume alcuna responsabilità per danni derivanti da:

- Non conformità con il manuale d'uso
- Utilizzo non corretto
- Consumo e usura naturali
- Montaggio o preparazione non corretti da parte dell'acquirente o di terzi
- Modifiche tecniche
- Modifiche non autorizzate e/o utilizzo di pezzi di ricambio non adatti

## 2 Sicurezza

### 2.1 Informazioni per la sicurezza



#### ATTENZIONE!

##### Pericolo di lesioni gravi o danni

Un uso improprio del prodotto può causare lesioni o danni.

- In presenza di messaggi di attenzione, precauzioni o istruzioni di difficile comprensione, contattare il personale medico professionale o il fornitore prima di iniziare a utilizzare questo prodotto.
- Non usare questo prodotto o nessun altro dispositivo opzionale disponibile senza prima aver letto attentamente e compreso fino in fondo le presenti istruzioni e ogni altro materiale informativo, come il manuale d'uso, il manuale per la manutenzione o i fogli di istruzione forniti con questo prodotto o con i dispositivi opzionali.



#### ATTENZIONE!

##### Pericolo di caduta

- Non utilizzare se difettoso.
- Non apportare alterazioni o modifiche non autorizzate al prodotto.
- Non salire in piedi sul prodotto.
- Non salire sul poggiatesta.
- Non sollevare il prodotto dal bracciolo o dal poggiatesta.
- Non sollevare il prodotto quando è sotto carico.
- Per l'uso solo su terreni privi di dislivelli e al chiuso.



#### ATTENZIONE!

- Prima del primo utilizzo, pulire accuratamente il prodotto.
- Prima di ogni utilizzo, controllare che il prodotto non abbia subito danni e assicurarsi che sia ben assemblato.



#### AVVERTENZA!

##### Pericolo di lesioni

Componenti non originali o non corretti possono alterare il funzionamento e la sicurezza del prodotto.

- Utilizzare esclusivamente componenti originali per il prodotto in uso.
- In considerazione delle differenze regionali, fare riferimento al sito web o al catalogo locale di Invacare per le opzioni disponibili oppure contattare il proprio distributore Invacare. Vedere gli indirizzi alla fine del presente documento.

## 2.2 Etichette e simboli sul prodotto (Fig. 14)

Ⓐ	Produttore	Ⓒ	Numero di lotto
Ⓑ	Conformità europea	Ⓓ	Identificativo univoco del dispositivo
Ⓒ	Per l'uso solo su terreni privi di dislivelli	Ⓔ	Dispositivo medico
Ⓓ	Leggere il manuale d'uso	Ⓕ	Codice di riferimento
Ⓔ	Peso max. utilizzatore	Ⓖ	Denominazione del prodotto
Ⓕ	Data di produzione		

 L'etichetta modello è attaccata sul telaio del prodotto.

## 3 Panoramica del prodotto

### 3.1 Uso previsto

Invacare Lima è una sedia da doccia e da toilette mobile con un telaio pieghevole salvaspazio, poggiatesta regolabili in altezza e una padella. Il bracciolo ribaltabile, lo schienale e la piastra del sedile sono imbottiti con materiale morbido. La piastra del sedile fornisce un'apertura igienica che può essere posizionata in quattro direzioni. Il prodotto è inoltre disponibile come modello a ruote auto-propellenti da 24".

Questa sedia da doccia e da toilette mobile è progettata per sostenere le attività igieniche personali con o senza assistenza in ambienti ospedalieri e domestici.

#### Utilizzatori previsti

Gli utilizzatori sono adulti e adolescenti con mobilità ridotta o limitata. Se utilizzato senza assistente, gli utilizzatori devono essere in grado di mantenere l'equilibrio.

#### Indicazioni

- Mobilità ridotta o limitata (ad es. gambe e/o fianchi) o problemi di equilibrio quando ci si alza o si cammina a causa di disabilità transitorie o permanenti.

Se si utilizza il prodotto come previsto, non sono note controindicazioni. Per il peso utilizzatore massimo, vedere 8.1 Dati tecnici (Fig. 15), pagina 17.

### 3.2 Contenuto della fornitura (Fig. 1)

- Telaio con schienale
- Piastra del sedile
- Padella
- Supporto per padella
- Poggiatesta (2x)
- Cintura di sicurezza pelvica più vite e rondella
- Manuale d'uso

## 4 Configurazione (Figg. 2-7)



### AVVERTENZA! Rischio di pizzicamento

– Prestare attenzione durante il montaggio.

1. Estrarre la scatola ① e il telaio con lo schienale ② dalla scatola per il trasporto. (Fig. 2)
2. Aprire la sedia da doccia e da toilette spingendo verso il basso i tensori trasversali ③. (Fig. 3)
3. Posizionare il supporto per la padella ④ sul telaio inserendo i quattro ganci della padella nei quattro fori presenti sui tubi del telaio. Inserire la padella dal lato posteriore. (Fig. 4)

4. Posizionare il sedile ⑤ sul telaio e spingere verso il basso per bloccare il sedile sul telaio. (Fig. 5)
5. Inserire la parte superiore del poggiatesta rivolto verso l'esterno ⑦ nel telaio della sedia da doccia e da toilette. Quindi far scorrere e spingere verso il basso per bloccare in posizione. (Fig. 6)
6. Preparare la procedura per il montaggio dell'altro poggiatesta. (Fig. 6)
7. Posizionare le due metà delle cinture di sicurezza pelviche sul telaio del sedile.
8. Installare le due viti di montaggio e i controdadi ⑧ per fissare le due metà delle cinture di sicurezza pelviche al telaio del sedile. (Fig. 7)

## 5 Uso



### AVVERTENZA!

Rischio di intrappolamento/schiacciamento  
– Non introdurre le dita nel meccanismo di ripiegamento.  
– Non introdurre le dita tra i raggi o tra la ruota e il sedile.



### ATTENZIONE!

Pericolo di caduta  
– Inserire i freni in posizione di stazionamento e trasferimento

### Apertura della sedia da doccia e da toilette (Fig. 3, 9, 4, 12, 13)

1. Aprire la sedia da doccia e da toilette spingendo verso il basso i tensori trasversali ③. (Fig. 3)
2. Sollevare i braccioli per agevolare l'accesso al telaio schiacciando la leva di rilascio del bracciolo verso i tubi del bracciolo e il sollevatore. (Fig. 9)
3. Posizionare il supporto per la padella sul telaio inserendo i quattro ganci della padella nei quattro fori presenti sui tubi del telaio. Inserire la padella dal lato posteriore. (Fig. 12)
4. Posizionare il sedile sul telaio e spingere verso il basso per bloccare il sedile sul telaio. (Fig. 13)



L'apertura delle piastre del sedile imbottite può essere posizionata nella direzione desiderata. (Fig. 13)

### Piegamento della sedia da doccia e da toilette

1. Sollevare i braccioli per agevolare l'accesso al telaio schiacciando la leva di rilascio del bracciolo verso i tubi del bracciolo e il sollevatore.
2. Rimuovere la piastra del sedile dal telaio tirando verso l'alto il sedile.
3. Rimuovere la padella dal supporto per la padella.
4. Rimuovere il supporto per la padella dal telaio sollevando i quattro ganci della padella per estrarli dai quattro fori presenti sui tubi del telaio.
5. Piegare la sedia da doccia e da toilette sollevando i tensori trasversali.

### Regolazione dei poggiatesta (Fig. 8)

1. Sollevare la parte anteriore della pedana fino a quando il perno di regolazione pedana non si disinnesta dal foro.
2. Far scorrere la pedana in modo da alternare l'altezza di regolazione della pedana.
3. Spingere verso il basso la parte anteriore della pedana fino a far innestare il perno di regolazione della pedana nel foro del perno desiderato.

### Posizionamento dei braccioli ribaltabili (Fig. 9)

1. Sbloccare il bracciolo ribaltabile premendo la leva di rilascio del bracciolo verso il telaio del bracciolo.
2. Tirare la parte anteriore del bracciolo ribaltabile dello schienale verso l'alto/fuori dalla presa del bracciolo e spingere indietro verso la parte posteriore della sedia da doccia e da toilette.
3. Per bloccare il bracciolo ribaltabile, tirare in avanti il bracciolo ribaltabile, quindi spingerlo verso il basso nella presa del bracciolo fino a quando non si sente un "clic".

### Utilizzo dei bloccaruota


1. Assicurarsi che la sedia da doccia e da toilette non si muova prima di inserire i bloccaruota.
2. Per inserire i bloccaruota, spingere in avanti la relativa impugnatura.
3. Per disinserire i bloccaruota tirare l'impugnatura all'indietro.

### Regolazione dei bloccaruota (Fig. 10)



#### ATTENZIONE!

Pericolo di lesioni  
– Questa procedura deve essere eseguita esclusivamente da una persona addetta alla manutenzione

1. Allentare le due viti a brugola che fissano il gruppo bloccaruota alla sedia da doccia e da toilette.
  -  Ogni regolazione del bloccaruota deve avere come risultato l'inserimento del cuneo bloccaruota per almeno 5 mm nello pneumatico quando il bloccaruota è inserito.
2. Per una regolazione corretta del bloccaruota, regolare la posizione del bloccaruota fino a ottenere la misura di 5 mm.
3. Serrare saldamente le due viti a testa vuota.
4. Inserire il bloccaruota, spingere la sedia da doccia e da toilette e stabilire se il cuneo del bloccaruota si innesta a sufficienza per trattenere la sedia da doccia e da toilette.
5. Ripetere le operazioni delle sezioni precedenti fino a quando il bloccaruota non trattiene la sedia da doccia e da toilette.
6. Ripetere le operazioni della sezione per il bloccaruota opposto.

### Innesto/disinnesto dei dispositivi di bloccaggio delle ruote orientabili (Fig. 11)



#### AVVERTENZA!

Rischio di intrappolamento/schiacciamento  
– Tutti i dispositivi di bloccaggio delle ruote orientabili si azionano con i piedi. Non azionare i dispositivi di bloccaggio con le mani.

1. Per bloccare i dispositivi di bloccaggio delle ruote orientabili, premere il piede sul pedale fino a quando il pedale non si inserisce.
2. Per sbloccare la ruota orientabile, sollevare il pedale fino a disinserrarlo.

### Rimozione/Installazione della padella (Fig. 12)

1. Smontaggio: dalla parte posteriore della sedia da doccia e da toilette, far scorrere la padella fuori dall'apposito supporto.
2. Montaggio: dalla parte posteriore della sedia da doccia e da toilette, far scorrere la padella nell'apposito supporto (parte anteriore per prima).

## 6 Manutenzione

### 6.1 Informazioni generali per la manutenzione

Questo prodotto non richiede manutenzione, a condizione che siano rispettate le istruzioni di pulizia e di disinfezione descritte di seguito.

### 6.2 Pulizia e disinfezione

#### Informazioni generali sulla sicurezza



#### AVVERTENZA!

##### Rischio di contaminazione

– Adottare opportune precauzioni per la propria protezione e utilizzare un'attrezzatura protettiva adeguata.



#### AVVISO!

Liquidi inappropriati o metodi errati potrebbero danneggiare il prodotto.

- Tutti i prodotti detergenti e disinfettanti utilizzati devono essere efficaci, compatibili tra loro e devono proteggere i materiali su cui vengono utilizzati durante la pulizia.
- Non utilizzare mai liquidi corrosivi (sostanze alcaline, acidi, ecc.) o detergenti abrasivi. Si consiglia di utilizzare un normale prodotto detergente per la casa, come un detersivo liquido per i piatti, a meno che non siano state fornite indicazioni diverse nelle istruzioni di pulizia.
- Non utilizzare mai solventi (diluyente per cellulosa, acetone, ecc.) che modificano la struttura della plastica o che sciolgono le etichette applicate.
- Prima di utilizzare il prodotto, assicurarsi sempre che sia completamente asciutto.



Per la pulizia e la disinfezione in ambienti clinici o di assistenza a lungo termine, seguire le procedure interne della struttura.

#### Intervali di pulizia



#### AVVISO!

La pulizia e la disinfezione periodici consentono di assicurare il corretto e regolare funzionamento, aumentare la durata e prevenire la contaminazione. Pulire e disinfettare il prodotto:

- periodicamente durante l'uso,
- prima e dopo qualsiasi procedura di manutenzione,
- in caso di contatto con liquidi biologici,
- prima dell'uso per un nuovo utilizzatore.

#### Istruzioni per la pulizia



#### SEGNALAZIONE!

Temperatura massima di pulizia:  
– 60 °C a mano

1. Pulire il prodotto strofinando tutte le superfici generalmente accessibili.
2. Asciugare le parti con un panno.

#### Istruzioni per la disinfezione

Metodo: Seguire le note applicative per il disinfettante utilizzato e disinfettare con una salvietta tutte le superfici accessibili.



Disinfettante: normale disinfettante per la casa.

Asciugatura: Lasciare asciugare il prodotto all'aria.

## 7 Dopo l'utilizzo

### 7.1 Ricondizionamento

Questo prodotto è adatto per il riutilizzo. Per il ricondizionamento del prodotto per un nuovo utilizzatore, intraprendere le azioni seguenti:

- Ispezione
- Pulizia e disinfezione

Per ulteriori informazioni, consultare *6 Manutenzione, pagina 16*.

Assicurarsi che il manuale d'uso venga sempre consegnato insieme al prodotto.

Se si riscontrano danni o malfunzionamenti, non riutilizzare il prodotto.

### 7.2 Smaltimento

Rispettare l'ambiente e riciclare il prodotto attraverso un centro di riciclaggio locale al termine del suo utilizzo.

Smontare il prodotto e i relativi componenti, in modo che i differenti materiali possano essere staccati e riciclati singolarmente.

Lo smaltimento e il riciclaggio dei prodotti usati e degli imballaggi devono essere eseguiti nel rispetto delle leggi e delle normative in materia di gestione dei rifiuti vigenti in ciascun paese. Per ulteriori informazioni, contattare la propria azienda di raccolta rifiuti locale.

## 8 Dati Tecnici

### 8.1 Dati tecnici (Fig. 15)

Dimensioni	H263	H273 (ruote da 24")
Ⓐ	1050 mm	1120 mm
Ⓑ	460 mm	460 mm
Ⓒ	165 mm	165 mm
Ⓓ	570 mm	680 mm
Ⓔ	460 mm	460 mm
Ⓕ	475 mm	475 mm
Ⓖ	1000 mm	1000 mm
Ⓗ	780 mm	780 mm
Ⓘ	580 mm	580 mm
Ⓙ	210 mm	210 mm
Ⓚ	325 - 460 mm	325 - 460 mm
Altezza, da terra fino al bordo inferiore del sedile:		
• con supporto per padella	340 mm	340 mm
• senza supporto per padella	535 mm	535 mm
Larghezza, apertura nella piastra del sedile	190 mm	190 mm

Dimensioni	H263	H273 (ruote da 24")
Profondità, apertura nella piastra del sedile	360 mm	360 mm
Larghezza totale, piegata	225 mm	335 mm
Profondità totale, piegata	1050 mm	1120 mm
Altezza totale, piegata	1000 mm	1000 mm
∅ ruote orientabili	5 pollici (127 mm)	5 pollici (127 mm)
∅ ruota motrice	—	24 pollici (610 mm)
Larghezza tra le ruote da 24"	—	550 mm

Pesi	H263	H273 (ruote da 24")
Peso	14,0 kg	18,5 kg
Peso max. utilizzatore	135 kg	135 kg

Materiali	
Telaio	Alluminio, resistente alla corrosione
Piastra del sedile	PUR
Padella	PP

Tutti i componenti del prodotto sono resistenti alla corrosione e non contengono lattice di gomma naturale.

### 8.2 Parametri ambientali

Condizioni di funzionamento	
Temperatura ambiente	10 - 40 °C
Umidità relativa	15% - 93% non condensante
Condizioni di conservazione e di trasporto:	
Temperatura ambiente	0 - 40 °C
Umidità relativa	30% - 75% non condensante

es

## 1 Generalidades

### 1.1 Introducción

Este manual del usuario contiene información importante sobre el manejo del producto. Para garantizar su seguridad al utilizar el producto, lea detenidamente el manual del usuario y siga las instrucciones de seguridad.

Invacare se reserva el derecho de modificar las especificaciones del producto sin previo aviso.

Antes de leer este documento, asegúrese de contar con la versión más reciente. Podrá encontrarla en formato PDF en el sitio web de Invacare.

Si la versión impresa del documento tiene un tamaño de letra que le resulta difícil de leer, podrá descargarlo en formato PDF en el sitio web. Podrá ampliar el PDF en pantalla a un tamaño de letra que le resulte más cómodo.

En caso de un accidente grave con el producto, informe al fabricante y a las autoridades competentes de su país.

## 1.2 Información sobre la garantía

Ofrecemos la garantía del fabricante del producto conforme a nuestras Condiciones generales y Condiciones comerciales en los distintos países.

Las reclamaciones relativas a la garantía solo pueden efectuarse a través del distribuidor en el que se adquirió el producto.

## 1.3 Cumplimiento

La calidad es fundamental para el funcionamiento de nuestra empresa, que trabaja conforme a las normas ISO 13485.

Este producto lleva la marca CE, en cumplimiento con el Reglamento 2017/745 sobre productos sanitarios de clase 1.

Trabajamos continuamente para garantizar que se reduzca al mínimo el impacto medioambiental de la empresa, tanto a nivel local como global.

Solo utilizamos materiales y componentes que cumplen con las directivas REACH.

## Normas específicas del producto

El producto ha sido sometido a pruebas y cumple la norma EN 12182 (Ayudas técnicas para personas con discapacidad) y las normas relacionadas. Para obtener más información sobre las normativas locales, póngase en contacto con el representante local de Invacare. Consulte las direcciones al final de este documento.

## 1.4 Vida útil

La vida útil prevista para este producto es de tres años, siempre y cuando se utilice diariamente y de conformidad con las instrucciones de seguridad, se respeten los intervalos de mantenimiento y se utilice correctamente según lo establecido en este manual. La vida útil real puede variar en función de la frecuencia y la intensidad del uso.

## 1.5 Limitación de responsabilidad

Invacare no se hace responsable de los daños surgidos por:

- Incumplimiento del manual del usuario
- Uso incorrecto
- Desgaste natural
- Montaje o instalación incorrectos por parte del comprador o de terceros
- Modificaciones técnicas
- Modificaciones no autorizadas y/o uso de recambios inadecuados

## 2 Seguridad

### 2.1 Información de seguridad



#### ¡ADVERTENCIA!

##### Riesgo de daños o lesiones graves

- Un uso incorrecto de este producto puede provocar lesiones o daños.
- Si tiene alguna duda relacionada con las advertencias, precauciones o instrucciones, póngase en contacto con un profesional sanitario o con su proveedor antes de intentar utilizar este equipo.
  - No utilice este producto ni cualquier otro equipo opcional disponible sin antes haber leído y comprendido estas instrucciones y cualquier otro material informativo adicional, como el manual del usuario, manuales de servicio u hojas de instrucciones proporcionados con este producto o equipo opcional.



#### ¡ADVERTENCIA!

##### Riesgo de caída

- No utilice el producto si está defectuoso.
- No realice modificaciones ni alteraciones no autorizadas en el producto.
- No se ponga de pie sobre el producto.
- No se ponga de pie sobre el reposapiés.
- No levante el producto del reposabrazos/reposapiés.
- No levante el producto cuando soporte una carga.
- Úselo solo en suelo uniforme y en interiores.



#### ¡ADVERTENCIA!

- Antes de utilizarlo por primera vez, limpie a fondo el producto.
- Antes de cada uso, compruebe que el producto no esté dañado y asegúrese de que esté montado de forma segura.



#### ¡PRECAUCIÓN!


##### Riesgo de lesiones

- El uso de piezas incorrectas o que no sean originales puede afectar el funcionamiento y la seguridad del producto.
- Utilice solo piezas originales para usar el producto.
  - Dadas las diferencias regionales existentes, consulte en el catálogo o en el sitio web de Invacare las opciones disponibles o póngase en contacto con su distribuidor de Invacare. Consulte las direcciones que figuran al final de este documento.

### 2.2 Etiquetas y símbolos del producto (Fig. 14)

(A)	Fabricante	(G)	Número de lote
(B)	Conformidad europea	(H)	Identificador único de dispositivo
(C)	Solo para uso en suelo uniforme	(I)	Producto sanitario
(D)	Lea el manual del usuario	(J)	Referencia de producto

Ⓔ	Peso máximo de usuario	Ⓚ	Nombre del producto
Ⓕ	Fecha de fabricación		

 La etiqueta de identificación está fijada en el chasis del producto.

### 3 Descripción del producto

#### 3.1 Uso previsto

La silla de ducha e inodoro móvil Invacare Lima se suministra con un chasis plegable que ahorra espacio, reposapiés ajustables en altura y una estructura de inodoro. El reposabrazos abatibles, el respaldo y la placa del asiento incluyen un suave acolchado y la placa del asiento ofrece un acceso higiénico cuya abertura se puede colocar en cuatro direcciones. El producto también está disponible en un modelo con ruedas de 24" para autopropulsarse.

Esta silla de ducha e inodoro móvil está diseñada para utilizarla como apoyo en todas las actividades de higiene personal con o sin asistencia en instituciones sanitarias y en hogares particulares.

#### Usuarios previstos

Está destinado a usuarios adultos y adolescentes con movilidad reducida o limitada. Si se utiliza sin un ayudante, los usuarios deben ser capaces de mantener el equilibrio.

#### Indicaciones

- Movilidad restringida o limitada (por ejemplo, piernas y/o caderas) o
- problemas de equilibrio para ponerse en pie o caminar debido a discapacidades transitorias o permanentes.

No existen contraindicaciones conocidas cuando el producto se utiliza del modo previsto. Para conocer el peso máximo de usuario, consulte 8.1 Datos técnicos (Fig. 15), página 21.

#### 3.2 Contenido de la entrega (Fig. 1)

- Chasis con respaldo
- Placa del asiento
- Estructura de inodoro
- Soporte de estructura de inodoro
- Reposapiés (2x)
- Cinturón pélvico de fijación con tornillo y arandela
- Manual del usuario

### 4 Instalación (Fig. 2 — 7)



#### ¡PRECAUCIÓN!

Riesgo de atrapamiento

– Tenga cuidado durante el montaje.

1. Saque la caja ① y el chasis con el respaldo ② de la caja de transporte. (Fig. 2)
2. Abra la silla de ducha e inodoro presionando hacia abajo los refuerzos transversales ③. (Fig. 3)
3. Coloque el soporte de la estructura de inodoro ④ en el chasis insertando los cuatro ganchos del soporte de la estructura del inodoro en los cuatro orificios de los tubos del chasis. Inserte la estructura de inodoro desde la parte trasera. (Fig. 4)
4. Coloque el asiento ⑤ en el chasis y empuje hacia abajo para bloquear el asiento en el chasis. (Fig. 5)
5. Inserte la parte superior del reposapiés orientada hacia fuera ⑦ en el chasis de la silla de ducha e inodoro. A continuación, deslice y empuje hacia abajo para bloquearlo en su lugar. (Fig. 6)

6. Prepare el procedimiento para el montaje del otro reposapiés. (Fig. 6)
7. Coloque los dos cinturones pélvicos de fijación a la mitad en el chasis del asiento.
8. Instale los dos tornillos de montaje y las contratueras ⑧ para fijar las dos mitades de los cinturones pélvicos de fijación al chasis del asiento. (Fig. 7)

### 5 Utilización



#### ¡PRECAUCIÓN!

Riesgo de atrapamiento o aplastamiento de los dedos

- No toque el mecanismo de plegado.
- No ponga los dedos entre los radios o entre la rueda y el asiento.



#### ¡ADVERTENCIA!

Riesgo de caída

- Aplique los frenos en la posición de estacionamiento y en los traslados.

#### Desplegado de la silla de ducha y de inodoro (Fig. 3, 9, 4, 12, 13)

1. Abra la silla de ducha e inodoro presionando hacia abajo los refuerzos transversales ③. (Fig. 3)
2. Eleve los reposabrazos para facilitar el acceso al chasis apretando la palanca de liberación del reposabrazos hacia el tubo del brazo y levántelos. (Fig. 9)
3. Coloque el soporte de la cubeta en el chasis insertando los cuatro ganchos del soporte de la cubeta en los cuatro orificios de los tubos del chasis. Inserte la cubeta desde la parte trasera. (Fig. 12)
4. Coloque el asiento en el chasis y empuje hacia abajo para bloquear el asiento en el chasis. (Fig. 13)



La abertura de las placas del asiento acolchadas se puede colocar en cualquier dirección que desee. (Fig. 13)

#### Plegado de la silla de ducha e inodoro

1. Eleve los reposabrazos para facilitar el acceso al chasis apretando la palanca de liberación del reposabrazos hacia el tubo del brazo y levántelos.
2. Retire la placa del asiento del chasis tirando hacia arriba en el asiento.
3. Retire la cubeta del soporte de cubeta.
4. Retire el soporte de la cubeta del chasis levantando los cuatro ganchos del soporte de los cuatro orificios de los tubos del chasis.
5. Pliegue la silla de ducha e inodoro levantándola de los refuerzos transversales.

#### Ajuste de los reposapiés (Fig. 8)

1. Levante la parte delantera de la paleta del reposapiés hasta que el pasador de ajuste de la paleta se desenganche del orificio.
2. Deslice la paleta del reposapiés a otra altura de ajuste de la paleta del reposapiés.
3. Empuje hacia abajo en la parte delantera de la paleta del reposapiés hasta que el pasador de ajuste encaje en el orificio de pasador que desee.

### Colocación de los brazos abatibles (Fig. 9)

1. Desbloquee el brazo abatible presionando la palanca de liberación del brazo hacia el chasis del brazo.
2. Tire de la parte delantera del brazo abatible hacia arriba y hacia fuera del zócalo del brazo y empuje hacia atrás, hacia la parte posterior de la silla de ducha e inodoro.
3. Para bloquear el brazo abatible, tire del brazo abatible hacia delante y empuje hacia abajo en el zócalo del brazo, hasta que se oiga un "clic".

### Uso de los bloqueos de las ruedas

1. Asegúrese de que la silla de ducha e inodoro no se mueva antes de acoplar los bloqueos de las ruedas.
2. Para acoplar los bloqueos de las ruedas, empuje hacia delante la palanca de bloqueo de las ruedas.
3. Desacople los bloqueos de las ruedas siguiendo el paso 2 a la inversa.

### Ajuste de los bloqueos de las ruedas (Fig. 10)



#### ¡ADVERTENCIA!

Riesgo de lesiones

- Este procedimiento solo lo puede realizar el servicio técnico.

1. Afloje los dos tornillos Allen que fijan el conjunto de bloqueo de la rueda en la silla de ducha e inodoro.
  - Cualquier ajuste del bloqueo de la rueda debe incrustar la zapata del bloqueo de la rueda al menos 5 mm en la rueda cuando esté acoplado.
2. Ajuste la posición del bloqueo de la rueda hasta que se obtenga una medida de 5 mm para el ajuste correcto del bloqueo de la rueda.
3. Apriete bien los dos tornillos Allen.
4. Acople el bloqueo de la rueda, empuje la silla de ducha e inodoro y determine si el bloqueo de la rueda acopla la zapata del bloqueo de la rueda lo suficiente como para mantener en su posición la silla de ducha e inodoro.
5. Repita las secciones anteriores hasta que el bloqueo de la rueda mantenga en su posición la silla de ducha e inodoro.
6. Repita la sección para el bloqueo de rueda del lado opuesto.

### Acoplamiento/desacoplamiento de los bloqueos de las ruedas (Fig. 11)



#### ¡PRECAUCIÓN!

Riesgo de atrapamiento o aplastamiento de los dedos

- Todos los bloqueos de las ruedas se accionan con los pies. No accione los bloqueos con las manos.

1. Para bloquear los bloqueos de las ruedas giratorias, pise el pedal hasta que se acoplen.
2. Para desbloquear la rueda giratoria, levante el pedal hasta que se desacople.

### Retirada e instalación de la cubeta (Fig. 12)

1. Retirada: Desde la parte trasera de la silla de ducha e inodoro, deslice la cubeta para sacarla del soporte de la cubeta.
2. Instalación: Desde la parte trasera de la silla de ducha e inodoro, deslice la cubeta en la parte delantera del soporte de la cubeta primero.

## 6 Mantenimiento

### 6.1 Información sobre mantenimiento general

Este producto no precisa ningún mantenimiento, siempre que se sigan las instrucciones de limpieza y desinfección.

### 6.2 Limpieza y desinfección

#### Información general de seguridad



#### ¡PRECAUCIÓN!

Riesgo de contaminación

- Adopte las precauciones necesarias y utilice el equipo de protección adecuado.



#### AVISO

- Seguir métodos erróneos o utilizar fluidos incorrectos puede dañar o deteriorar el producto.
- Todos los productos de limpieza y desinfectantes empleados deben ser eficaces, compatibles entre sí y deben proteger los materiales que se van a limpiar.
  - Nunca utilice fluidos corrosivos (álcalis, ácidos, etc.) ni productos de limpieza abrasivos. Recomendamos usar un producto de limpieza doméstico normal, como líquido lavavajillas, si no especifica lo contrario en las instrucciones de limpieza.
  - No utilice disolventes (decapantes de celulosa, acetona, etc.) que cambien la estructura del plástico o disuelvan las etiquetas adheridas.
  - Asegúrese siempre de que el producto se ha secado por completo antes de utilizarlo de nuevo.



Para la limpieza y desinfección en entornos clínicos o de atención sanitaria a largo plazo, siga los procedimientos internos.

#### Intervalos de limpieza



#### AVISO

- La limpieza y la desinfección habituales mejoran el correcto funcionamiento, aumentan la vida útil y evitan la contaminación. Limpie y desinfecte el producto:
- periódicamente mientras esté en uso,
  - antes y después de cualquier procedimiento de mantenimiento,
  - cuando haya estado en contacto con fluidos corporales,
  - antes de usarlo con un nuevo usuario.

#### Instrucciones de limpieza



#### AVISO

- Temperatura de limpieza máxima:
- 60 °C a mano

1. Limpie el producto limpiando todas las superficies accesibles con desinfectante.
2. Seque las piezas con un paño.

#### Instrucciones de desinfección

Método: Siga las instrucciones de aplicación del desinfectante y limpie y desinfecte todas las superficies accesibles.

Desinfectante: Desinfectante doméstico habitual.

Secado: Deje que el producto se seque al aire.

## 7 Después del uso

### 7.1 Reacondicionamiento

El producto se puede reutilizar. Para reacondicionar el producto para un nuevo usuario, lleve a cabo las siguientes acciones:

- Inspección
- Limpieza y desinfección

Para obtener información detallada, consulte 6 *Mantenimiento*, página 20.

Asegúrese de que el manual del usuario se entregue con el producto.

Si se detecta algún daño o un funcionamiento deficiente, no reutilice el producto.

### 7.2 Eliminación

Proteja el medio ambiente y recicle este producto a través de la planta de reciclaje más próxima cuando llegue al final de su vida útil.

Desmante el producto y sus componentes para separar y reciclar individualmente los diferentes materiales.

La eliminación y el reciclaje de los productos usados y de sus embalajes debe llevarse a cabo conforme a las normativas legales relativas al tratamiento de residuos vigentes en cada país. Póngase en contacto con su empresa de gestión de residuos local para obtener más información al respecto.

## 8 Datos Técnicos

### 8.1 Datos técnicos (Fig. 15)

Dimensiones	H263	H273 (Ruedas de 24")
Ⓐ	1050 mm	1120 mm
Ⓑ	460 mm	460 mm
Ⓒ	165 mm	165 mm
Ⓓ	570 mm	680 mm
Ⓔ	460 mm	460 mm
Ⓕ	475 mm	475 mm
Ⓖ	1000 mm	1000 mm
Ⓗ	780 mm	780 mm
Ⓘ	580 mm	580 mm
Ⓙ	210 mm	210 mm
Ⓚ	De 325 a 460 mm	De 325 a 460 mm
Altura, suelo a borde del asiento inferior:		
• con soporte para estructura de inodoro	340 mm	340 mm
• sin soporte para estructura de inodoro	535 mm	535 mm

Dimensiones	H263	H273 (Ruedas de 24")
Anchura, hueco en la placa del asiento	190 mm	190 mm
Profundidad, hueco en la placa del asiento	360 mm	360 mm
Anchura total, plegada	225 mm	335 mm
Profundidad total, plegada	1050 mm	1120 mm
Altura total, plegada	1000 mm	1000 mm
∅ de ruedas giratorias	127 mm (5 pulgadas)	127 mm (5 pulgadas)
∅ de rueda motriz	—	610 mm (24 pulgadas)
Anchura entre las ruedas de 24"	—	550 mm

Pesos	H263	H273 (Ruedas de 24")
Peso	14,0 kg	18,5 kg
Peso máximo de usuario	135 kg	135 kg

Materiales	
Chasis	Aluminio, resistente a la corrosión
Placa de asiento	PUR
Inodoro	PP

Todos los componentes del producto son resistentes a la corrosión y no contienen látex de caucho natural.

### 8.2 Parámetros medioambientales

Condiciones de funcionamiento	
Temperatura ambiente	De 10 a 40 °C
Humedad relativa	Del 15 % al 93 % sin condensación
Condiciones de envío y almacenamiento	
Temperatura ambiente	De 0 a 40 °C
Humedad relativa	Del 30 % al 75 % sin condensación

## 1 Geral

### 1.1 Introdução

Este manual de utilização contém informações importantes sobre o manuseamento do produto. Para garantir a segurança durante a utilização do produto, leia atentamente o manual de utilização e siga as instruções de segurança.

A Invacare reserva-se o direito de alterar as especificações do produto sem aviso prévio.

Antes de ler este documento, certifique-se de que tem a versão mais recente. A versão mais recente está disponível no site da Invacare, em formato PDF.

Se o tamanho do tipo de letra no documento impresso for difícil de ler, pode transferir uma versão em PDF do manual a partir do site. A imagem do PDF pode ser ajustada no ecrã para um tamanho de tipo de letra que lhe seja mais cómodo.

Em caso de incidente grave com o produto, deve informar o fabricante e as autoridades competentes do seu país.

## 1.2 Informações da garantia

Facultamos uma garantia de fabrico para o produto, em conformidade com os nossos Termos e Condições Gerais de Compra nos respetivos países.

As reclamações de garantia só podem ser realizadas através do fornecedor ao qual o produto foi adquirido.

## 1.3 Conformidade

A qualidade é fundamental para o funcionamento da empresa, estando em conformidade com a norma ISO 13485.

Este produto apresenta a marcação CE, em conformidade com o Regulamento de dispositivos médicos 2017/745, Classe I.

Temos empreendido um esforço contínuo para reduzir ao mínimo o impacto local e global da empresa no ambiente.

Apenas utilizamos materiais e componentes que cumprem a diretiva REACH.

## Normas específicas do produto

O produto foi testado e está em conformidade com a norma EN 12182 (Produtos de assistência para pessoas com deficiências) e normas relacionadas. Para obter informações adicionais sobre as normas e os regulamentos locais, contacte o representante local da Invacare. Consulte os endereços no final deste documento.

## 1.4 Vida útil

A vida útil prevista deste produto é de três anos, quando o mesmo é utilizado diariamente e em conformidade com as instruções de segurança, intervalos de manutenção e utilização correcta indicados neste manual. A vida útil efectiva pode variar de acordo com a frequência e intensidade de utilização.

## 1.5 Limitação de responsabilidade

A Invacare não aceita a responsabilidade por danos decorrentes de:

- Incumprimento das instruções presentes no manual de utilização
- Utilização incorreta
- Desgaste natural devido ao uso
- Montagem ou preparação incorreta pelo comprador ou por terceiros
- Modificações técnicas
- Modificações não autorizadas e/ou utilização de peças sobressalentes desadequadas

## 2 Segurança

### 2.1 Informações de segurança



#### ADVERTÊNCIA!

##### Risco de lesão grave ou danos

A utilização incorreta deste produto pode causar lesões ou danos.

- Se não compreender as advertências, avisos ou instruções, contacte um profissional de cuidados de saúde ou o fornecedor antes de tentar utilizar este equipamento.
- Não utilize este produto ou qualquer equipamento opcional disponível sem primeiro ler e compreender estas instruções e todo o material de instrução adicional, assim como os manuais de utilização, os manuais de assistência ou os folhetos de instruções fornecidos com este produto ou com equipamento opcional.



#### ADVERTÊNCIA!

##### Risco de queda

- Não utilizar se apresentar defeitos.
- Não fazer quaisquer modificações nem alterações não autorizadas ao produto.
- Não se coloque de pé em cima do produto.
- Não se coloque de pé sobre o apoio de pés.
- Não levante o produto pelo apoio de braço/apoio de pés.
- Não levantar o produto quando incluir carga.
- Utilize apenas em piso plano e em espaços interiores.



#### ADVERTÊNCIA!

– Antes da primeira utilização, limpe rigorosamente o produto.

- Antes de cada utilização, verifique o produto, procurando sinais de danos e assegurando que está montado de forma segura.



#### ATENÇÃO!


##### Risco de lesões

Peças não originais ou incorretas podem afetar o funcionamento e a segurança do produto.

- Utilize apenas peças originais para o produto em utilização.
- Devido a diferenças regionais, consulte o catálogo ou o site local da Invacare relativamente às opções disponíveis ou contacte o seu distribuidor Invacare. Consulte os endereços no final deste documento.

### 2.2 Etiquetas e símbolos no produto (Fig. 14)

(A)	Fabricante	(G)	Número de lote
(B)	Conformidade Europeia	(H)	Identificador único do dispositivo
(C)	Para utilização apenas em terreno plano	(I)	Dispositivo médico
(D)	Ler o manual de utilização	(J)	Número de referência
(E)	Peso máximo do utilizador	(K)	Designação do produto
(F)	Data de produção		

 A etiqueta com identificação encontra-se fixada ao chassis do produto.

## 3 Descrição geral do produto

### 3.1 Utilização prevista

Invacare Lima é uma cadeira móvel de chuveiro e sanita com um chassis rebatível que economiza espaço, apoios de pés de altura ajustável e uma aparadeira. O apoio de braço rebatível, o encosto e o placa de assento são suavemente almofadados. A placa de assento oferece um recorte de acesso higiênico cuja abertura pode ser posicionada em quatro direções. O produto também está disponível como um modelo de rodas de 24" para autopropulsão.

Esta cadeira móvel de chuveiro e sanita destina-se a apoiar atividades de higiene pessoal com ou sem assistência em ambiente institucional e doméstico.

#### Utilizadores previstos

Os utilizadores previstos são adultos e adolescentes com mobilidade restrita ou limitada. Se for utilizado sem um assistente, os utilizadores devem ser capazes de manter o equilíbrio.

#### Indicações

- Mobilidade restrita ou limitada (por exemplo, pernas e/ou ancas) ou
- problemas de equilíbrio ao pôr-se de pé ou caminhar devido a incapacidades transitórias ou permanentes.

Não existem nenhuma contraindicações conhecidas quando o produto é utilizado da forma prevista. Para saber o peso máximo do utilizador, consulte 8.1 *Dados técnicos* (Fig. 15), página 25.

### 3.2 Material incluído na entrega (Fig. 1)

- Chassis com encosto
- Placa de assento
- Sanita
- Suporte de sanita
- Apoio de pés (2x)
- Cinto de retenção pélvico com parafuso e anilha
- Manual de utilização

## 4 Configuração (Fig. 2 – 7)



#### **ATENÇÃO!** Risco de trilhadeira

– Tenha cuidado durante a montagem.

1. Levante a caixa ① e o chassis com o encosto ② e retire-os da embalagem de transporte. (Fig. 2)
2. Abra a cadeira de duche e sanita pressionando os suportes cruzados para baixo ③. (Fig. 3)
3. Coloque o suporte de sanita ④ no chassis inserindo os quatro ganchos do suporte de sanita nos quatro orifícios dos tubos do chassis. Insira a sanita pelo lado traseiro. (Fig. 4)
4. Posicione o assento ⑥ no chassis e empurre-o para baixo para o bloquear no chassis. (Fig. 5)
5. Insira a parte superior do apoio de pés voltada para fora ⑦ no chassis da cadeira de duche e sanita. Em seguida, deslize e empurre para baixo para bloquear no local. (Fig. 6)
6. Prepare o procedimento para a montagem do outro apoio de pés. (Fig. 6)

7. Posicione as duas metades do cinto de retenção pélvico no estrutura de assento.
8. Instale os dois parafusos de montagem e as duas porcas de bloqueio ⑧ para fixar as duas metades do cinto de retenção pélvico à estrutura de assento. (Fig. 7)

## 5 Utilização



#### **ATENÇÃO!**

Risco de apesamento/esmagamento

- Não toque no mecanismo de dobragem.
- Não coloque os dedos entre os raios ou entre as rodas e o assento.



#### **ADVERTÊNCIA!**

Risco de queda

- Aplique os travões na posição de estacionamento e para transferência.

### Abrir a cadeira de duche e sanita (Fig. 3, 9, 4, 12, 13)

1. Abra a cadeira de duche e sanita pressionando os suportes cruzados para baixo ③. (Fig. 3)
2. Eleve os apoios de braços para facilitar o acesso ao chassis apertando a alavanca de desengate do apoio de braço para o tubo do braço e levante. (Fig. 9)
3. Coloque o suporte de sanita no chassis inserindo os quatro ganchos do suporte de sanita nos quatro orifícios dos tubos do chassis. Insira a sanita pelo lado traseiro. (Fig. 12)
4. Posicione o assento no chassis e empurre para baixo para bloquear o assento no chassis. (Fig. 13)



A abertura da placa de assento almofadada pode ser posicionada em qualquer direção pretendida. (Fig. 13)

### Encartar a cadeira de duche e sanita

1. Eleve os apoios de braços para facilitar o acesso ao chassis apertando a alavanca de desengate do apoio de braço para o tubo do braço e levante.
2. Retire placa de assento do chassis puxando-a do assento para cima.
3. Retire a sanita do suporte de sanita.
4. Retire o suporte de sanita do chassis levantando os quatro ganchos do suporte de sanita para fora dos quatro orifícios dos tubos do chassis.
5. Rebata a cadeira de duche e sanita levantando os suportes cruzados.

### Ajustar o apoio de pés (Fig. 8)

1. Levante a parte da frente da placa de pé até o pino de ajuste da placa de pé desengatar do orifício.
2. Faça deslizar a placa de pé para a altura de ajuste da placa de pé alternativa.
3. Pressione a parte da frente da placa de pé para baixo até o pino de ajuste da placa de pé engatar no orifício de pino pretendido.

### Posicionar os braços rebatíveis (Fig. 9)

1. Desbloqueie o braço rebatível premindo a alavanca de desengate do braço em direção ao chassis do braço.
2. Puxe a parte da frente do braço rebatível para cima/para fora do encaixe do braço e empurre para trás, em direção à parte traseira da cadeira de duche e sanita.
3. Para bloquear o braço rebatível, puxe-o para a frente e, em seguida, empurre para baixo para o encaixe do braço até ouvir um clique.

## Utilizar os bloqueios das rodas

1. Certifique-se de que a cadeira de duche e sanita está parada antes de engatar os bloqueios das rodas.
2. Para engatar os bloqueios das rodas, empurre o manípulo de bloqueio das rodas para a frente.
3. Desengate os bloqueios das rodas executando o passo 2 pela ordem inversa.


## Ajustar os bloqueios das rodas (Fig. 10)



### ADVERTÊNCIA!

Risco de lesões

- Este procedimento só pode ser realizado por um técnico da assistência.

1. Desaperte os dois parafusos sextavados internos que fixam a unidade de bloqueio das rodas à cadeira de duche e sanita.
  -  Qualquer ajuste do bloqueio das rodas deve incorporar o respetivo calço de bloqueio pelo menos 5 mm no pneu quando engatado.
2. Ajuste a posição do bloqueio das rodas até chegar aos 5 mm para um ajuste correto do bloqueio das rodas.
3. Aperte bem os dois parafusos sextavados internos.
4. Engate o bloqueio das rodas e empurre contra a cadeira de duche e sanita para determinar se o bloqueio das rodas está suficientemente engatado no calço de bloqueio das rodas para bloquear a cadeira de duche e sanita.
5. Repita as secções anteriores até o bloqueio das rodas bloquear a cadeira de duche e sanita.
6. Repita a secção para o bloqueio das rodas oposto.

## Engatar/Desengatar os bloqueios dos rodízios (Fig. 11)



### ATENÇÃO!

Risco de apresamento/esmagamento

- Todos os bloqueios dos rodízios são acionados pelos pés. Não acione os bloqueios com as mãos.

1. Para ativar os bloqueios dos rodízios pise no pedal até engatar.
2. Para desbloquear os rodízios levante o pedal até desengatar.

## Retirar/Instalar a sanita (Fig. 12)

1. Remover: A partir da parte traseira da cadeira de duche e sanita, faça deslizar a sanita para fora do suporte de sanita.
2. Instalar: A partir da parte traseira da cadeira de duche e sanita, faça deslizar a sanita para dentro da parte da frente do suporte de sanita primeiro.

## 6 Manutenção

### 6.1 Informações gerais sobre manutenção

Se as instruções de limpeza e desinfecção forem cumpridas, este produto não necessita de manutenção.

### 6.2 Limpeza e desinfecção

#### Informações gerais de segurança



### ATENÇÃO!

Risco de contaminação

- Tome precauções pessoais e utilize equipamento de proteção apropriado.



### AVISO!

Métodos ou fluidos errados podem prejudicar ou danificar o produto.

- Todos os agentes de limpeza e desinfetantes utilizados devem ser eficazes, compatíveis entre si e passíveis de proteger os materiais aos quais são aplicados para limpeza.
- Nunca utilize líquidos corrosivos (alcalinos, ácidos, etc.) ou agentes de limpeza abrasivos. Recomendamos um agente de limpeza doméstico normal, como detergente da loiça, se não houver especificações em contrário nas instruções de limpeza.
- Nunca utilize um solvente (diluyente celulósico, acetona, etc.) que altere a estrutura do plástico ou dissolva as etiquetas afixadas.
- Certifique-se sempre de que o produto está completamente seco antes de o pôr novamente em funcionamento.



Para a limpeza e desinfecção em ambientes de cuidados clínicos ou de longa duração, siga os procedimentos internos.

## Intervalos de limpeza



### AVISO!

A limpeza e a desinfecção regulares melhoram o funcionamento correto, aumentam a vida útil e evitam a contaminação.

Limpe e desinfete o produto:

- regularmente enquanto está em utilização,
- antes e depois de qualquer operação de assistência,
- depois de ter estado em contacto com quaisquer fluidos corporais
- e antes da sua utilização por um novo utilizador.

## Instruções de limpeza



### AVISO!

Temperatura máxima de limpeza:

- 60 °C à mão

1. Limpe o produto passando por todas as superfícies que estão geralmente acessíveis.
2. Seque as peças com um pano.

## Instruções de desinfecção

Método: Siga as notas de aplicação para o desinfetante utilizado e desinfete todas as superfícies acessíveis com toalhetes.

Desinfetante: Desinfetante doméstico comum.

Secar: Deixe o produto secar ao ar.

## 7 Após a utilização

### 7.1 Recondicionamento

Este produto é adequado para reutilização. Para o recondicionamento do produto para um novo utilizador, execute as seguintes ações:

- Inspeção
- Limpeza e desinfecção

Para obter informações detalhadas, consulte a secção 6 *Manutenção*, página 24.

Certifique-se de que o manual de utilização é fornecido com o produto.

Se forem detetados danos ou avarias, não reutilize o produto.



## 7.2 Eliminação

Seja amigo do ambiente e recicle este produto no fim da respetiva vida útil através das instalações de reciclagem existentes.

Desmonte o produto e os seus componentes, para que os diferentes materiais possam ser separados e reciclados individualmente.

A eliminação e a reciclagem de produtos utilizados e da embalagem devem cumprir as leis e os regulamentos relativos à gestão de resíduos de cada país. Para obter informações, contacte a empresa de gestão de resíduos local.

## 8 Características Técnicas

### 8.1 Dados técnicos (Fig. 15)

Dimensões	H263	H273 (rodas de 24")
Ⓐ	1050 mm	1120 mm
Ⓑ	460 mm	460 mm
Ⓒ	165 mm	165 mm
Ⓓ	570 mm	680 mm
Ⓔ	460 mm	460 mm
Ⓕ	475 mm	475 mm
Ⓖ	1000 mm	1000 mm
Ⓗ	780 mm	780 mm
Ⓘ	580 mm	580 mm
Ⓙ	210 mm	210 mm
Ⓚ	325 – 460 mm	325 – 460 mm
Altura, do chão até à extremidade inferior do assento:		
• com suporte para sanita	340 mm	340 mm
• sem suporte para sanita	535 mm	535 mm
Largura, abertura na placa de assento	190 mm	190 mm
Profundidade, abertura na placa de assento	360 mm	360 mm
Largura total, dobrada	225 mm	335 mm
Profundidade total, encartada	1050 mm	1120 mm
Altura total, encartada	1000 mm	1000 mm
∅ Rodízios	127 mm (5")	127 mm (5")
∅ Roda motriz	—	610 mm (24")
Largura entre as rodas de 24"	—	550 mm

Pesos	H263	H273 (rodas de 24")
Peso	14 kg	18,5 kg
Peso máximo do utilizador	135 kg	135 kg

Materiais	
Chassis	Alumínio, resistente à corrosão
Placa de assento	PUR
Aparadeira	PP (polipropileno)

Todos os componentes do produto são resistentes à corrosão e não contêm látex de borracha natural.

### 8.2 Parâmetros ambientais

Condições de funcionamento	
Temperatura ambiente	10 - 40 °C
Humidade relativa	15% - 93%, sem condensação
Condições de transporte e armazenamento	
Temperatura ambiente	0 - 40 °C
Humidade relativa	30% - 75%, sem condensação

nl

## 1 Algemeen

### 1.1 Inleiding

Deze gebruikershandleiding bevat belangrijke informatie over het gebruik van dit product. Lees de gebruikershandleiding aandachtig door en volg de veiligheidsinstructies, zodat u zeker weet dat u het product veilig gebruikt.

Invacare behoudt zich het recht voor om productspecificaties zonder voorafgaande kennisgeving te wijzigen.

Controleer voordat u dit document leest of u de juiste versie hebt. U vindt een pdf-bestand met de laatste versie op de Invacare-website.

Als u de lettergrootte in de gedrukte versie van het document moeilijk kunt lezen, kunt u een pdf-versie downloaden van de website. In de pdf-versie kunt u de letters op het scherm aanpassen tot een grootte die u prettiger vindt.

In geval zich een ernstig incident met het product voordoet, dient u de fabrikant en de bevoegde instantie in uw land daarvan op de hoogte te brengen.

### 1.2 Garantie-informatie

Wij bieden voor dit product een fabrieksgarantie in overeenstemming met onze Algemene Voorwaarden in de respectievelijke landen.

Garantieclaims kunnen alleen worden ingediend via de dealer bij wie u het product hebt gekocht.

### 1.3 Naleving

Kwaliteit is cruciaal bij onze bedrijfsactiviteiten, waarbij wordt gewerkt binnen de normen van ISO 13485.

Dit product is voorzien van het CE-merkteken conform Verordening 2017/745 betreffende medische hulpmiddelen, klasse I.

Wij werken er continu aan om ervoor te zorgen dat het effect van het bedrijf op het milieu, zowel lokaal als internationaal, zo veel mogelijk wordt beperkt.

Wij maken uitsluitend gebruik van materialen en onderdelen die voldoen aan de REACH-richtlijnen.

## Productspecifieke normen

Het product is getest en voldoet aan de norm EN 12182 (producten ter ondersteuning van personen met een handicap) en alle bijbehorende normen. Neem voor meer informatie over de lokale normen en voorschriften contact op met uw lokale Invacare-vertegenwoordiger. Zie de adressen achter in dit document.

### 1.4 Levensduur

De verwachte levensduur van dit product is drie jaar bij dagelijks gebruik en in overeenstemming met de veiligheidsinstructies, onderhoudstermijnen en bij correct gebruik, zoals aangegeven in deze handleiding. De effectieve levensduur kan variëren afhankelijk van de frequentie en intensiteit van het gebruik.

### 1.5 Aansprakelijkheidsbeperking

Invacare aanvaardt geen aansprakelijkheid voor schade veroorzaakt door:

- Niet in acht nemen van de gebruikershandleiding
- Verkeerd gebruik
- Normale slijtage
- Verkeerde montage of afstelling door de koper of een derde
- Technische aanpassingen
- Niet-geautoriseerde wijzigingen en/of gebruik van ongeschikte reserveonderdelen

## 2 Veiligheid

### 2.1 Veiligheidsinformatie



#### WAARSCHUWING!

##### Kans op ernstig letsel of schade

Verkeerd gebruik van dit product kan leiden tot schade of lichamelijk letsel.

- Als u de waarschuwingen, aanwijzingen of instructies niet begrijpt, neem dan contact op met een professionele zorgverlener of leverancier voordat u dit hulpmiddel gebruikt.
- Gebruik dit product of de beschikbare optionele apparatuur alleen als u deze instructies en het eventuele aanvullende instructiemateriaal volledig hebt doorgelezen en begrepen, met inbegrip van de gebruikershandleiding, servicehandleidingen of instructiebladen die bij dit product of de optionele apparatuur worden verstrekt.



#### WAARSCHUWING!

##### Risico op vallen

- Niet gebruiken indien defect.
- Voer geen niet-geautoriseerde wijzigingen of aanpassingen uit op het product.
- Ga niet op dit product staan.
- Niet op de voetsteun staan.
- Het product niet optillen aan de armsteun/voetsteun.
- Het product bij belasting niet optillen.
- Alleen gebruiken op een vlakke ondergrond en binnenshuis.



#### WAARSCHUWING!

- Vóór het eerste gebruik moet het product grondig worden gereinigd.
- Controleer het product vóór elk gebruik op schade en controleer of het stevig is gemonteerd.



#### LET OP!

##### Gevaar voor lichamelijk letsel

Niet-originele of verkeerde onderdelen kunnen de werking en veiligheid van het product nadelig beïnvloeden.

- Gebruik alleen originele onderdelen voor het product dat u gebruikt.
- Vanwege de verschillen per regio kunt u het beste de Invacare-catalogus of -website voor uw regio raadplegen om te zien welke opties beschikbaar zijn. U kunt ook contact opnemen met uw Invacare-leverancier. Zie de adressen achter in dit document.

### 2.2 Labels en symbolen op het product (afb. 14)

(A)	Fabrikant	(G)	Serienummer
(B)	Conformiteit met Europese normen	(H)	Unieke apparaat-id
(C)	Alleen voor gebruik op een vlakke ondergrond	(I)	Medisch hulpmiddel
(D)	Lees de gebruiksaanwijzing	(J)	Referentienummer
(E)	Maximaal gebruikersgewicht	(K)	Productaanduiding
(F)	Productiedatum		



De identificatie is op het frame van het product bevestigd.

## 3 Productoverzicht

### 3.1 Beoogd gebruik

De Invacare Lima is een mobiele douche- en toiletstoel met een ruimtebesparend inklapbaar frame, in hoogte verstelbare voetsteunen en een ondersteek. De opklapbare armsteunen, de rugleuning en de zitplaat zijn voorzien van zachte bekleding. De zitplaat heeft een hygiënische uitsparing waarvan de opening in vier richtingen kan worden geplaatst. Het product is ook beschikbaar in een model met 24"-wielen voor zelfstandige verplaatsing.

Deze mobiele douche- en toiletstoel is bedoeld ter ondersteuning van de persoonlijke hygiëne met of zonder begeleiding in zorginstellingen en thuis.

#### Beoogde gebruikers

Het product is bedoeld voor jongeren en volwassenen met beperkte mobiliteit. Indien het hulpmiddel zonder begeleiding wordt gebruikt, moet de gebruiker zijn/haar evenwicht kunnen bewaren.

#### Indicaties

- Beperkte mobiliteit (bijv. van de benen en/of heupen)
- Evenwichtsproblemen bij het opstaan of lopen als gevolg van een tijdelijke of permanente handicap

Er zijn geen contra-indicaties bekend bij gebruik van het product zoals bedoeld. Zie voor het maximale gebruikersgewicht 8.1 Technische gegevens (afb. 15), pagina 28.

## 3.2 Geleverde onderdelen (afb. 1)

- Frame met rugleuning
- Zitplaat
- Ondersteek
- Ondersteekhouder
- Voetsteun (2x)
- Veiligheidsgordel met schroeven en borgmoeren
- Gebruikershandleiding

## 4 Montage (afb. 2 t/m 7)



### LET OP!

#### Beknellingsgevaar

– Wees voorzichtig tijdens het monteren.

1. Til de doos ① en het frame met de rugleuning ② uit de transportverpakking (afb. 2).
2. Klap de douche- en toiletstoel open door het inklapmechanisme ③ omlaag te duwen (afb. 3).
3. Bevestig de ondersteekhouder ④ aan het frame door de vier haken van de ondersteekhouder in de vier gaten in de buizen van het frame te plaatsen. Plaats de ondersteek vanaf de achterkant in de houder (afb. 4).
4. Plaats de zitting ⑥ op het frame en duw op de zitting tot deze vastzit in het frame (afb. 5).
5. Steek de bovenkant van de naar buiten gerichte voetsteun ⑦ in het frame van de douche- en toiletstoel. Duw de voetsteun vervolgens omlaag om deze vast te zetten (afb. 6).
6. Herhaal de procedure om de andere voetsteun te plaatsen (afb. 6).
7. Plaats de twee helften van de veiligheidsgordel aan weerszijden van het zitframe.
8. Gebruik de twee bevestigingsschroeven en borgmoeren ⑧ om de twee helften van de veiligheidsgordel aan het zitframe te bevestigen (afb. 7).

## 5 Gebruik



### LET OP!

#### Beknellingsgevaar

- Laat uw vingers niet in het inklapmechanisme komen
- Leg uw vingers niet tussen de spaken of tussen een wiel en de zitting.



### WAARSCHUWING!

#### Risico op vallen

- Zet de wielen op de rem als de stoel stil moet blijven staan (ook tijdens het overstappen).

### De douche- en toiletstoel uitklappen (afb. 3, 9, 4, 12, 13)

1. Klap de douche- en toiletstoel open door het inklapmechanisme ③ omlaag te duwen (afb. 3)
2. Breng de armsteunen omhoog zodat u beter toegang hebt tot het frame. Knijp hiertoe de ontgrendelingshendel van de armsteun richting het armframe en til de armsteun omhoog (afb. 9).
3. Bevestig de ondersteekhouder aan het frame door de vier haken van de ondersteekhouder in de vier gaten in de buizen van het frame te plaatsen. Plaats de ondersteek vanaf de achterkant in de houder (afb. 12).
4. Plaats de zitting op het frame en duw op de zitting tot deze vastzit in het frame (afb. 13).



De opening in de beklede zitplaat kan in de gewenste richting worden geplaatst (afb. 13).

### De douche- en toiletstoel inklappen

1. Breng de armsteunen omhoog zodat u beter toegang hebt tot het frame. Knijp hiertoe de ontgrendelingshendel van de armsteun richting het armframe en til de armsteun omhoog.
2. Verwijder de zitplaat uit het frame door aan de zitting te trekken.
3. Verwijder de ondersteek uit de ondersteekhouder.
4. Verwijder de ondersteekhouder van het frame door de vier haken van de ondersteekhouder uit de vier gaten in de buizen van het frame te tillen.
5. Klap de douche- en toiletstoel in door deze aan het inklapmechanisme op te tillen.

### De voetsteunen aanpassen (afb. 8)

1. Til de voorkant van de voetplaat iets op zodat de stelpen loskomt uit de opening.
2. Schuif de voetplaat naar de gewenste hoogte.
3. Duw de voetplaat omlaag tot de stelpin van de voetplaat in de gewenste opening vastklikt.

### De wegklapbare armen plaatsen (afb. 9)

1. Ontgrendel de wegklapbare arm door de ontgrendelingshendel van de arm richting het armframe te drukken.
2. Trek de voorkant van de wegklapbare arm recht omhoog en uit de armopening en duw deze vervolgens richting de achterkant van de douche- en toiletstoel.
3. U kunt de wegklapbare arm weer vergrendelen door de wegklapbare arm naar voren te trekken en vervolgens omlaag in de armopening te duwen totdat deze hoorbaar vastklikt.

### De remmen gebruiken


1. Zorg voordat u de remmen inschakelt dat de douche- en toiletstoel niet meer beweegt.
2. U schakelt de remmen in door de remhandgreep naar voren te duwen.
3. Trek de remhandgreep naar achteren om de remmen weer uit te schakelen.

### De remmen afstellen (afb. 10)



### WAARSCHUWING!

Gevaar voor lichamelijk letsel  
– Deze procedure mag alleen worden uitgevoerd door een onderhoudsmedewerker

1. Draai de twee inbusschroeven waarmee de rem vastzit aan de douche- en toiletstoel los.  
 In elke stand waarin de rem is ingeschakeld, moet de remschoen ten minste 5 mm in de band drukken.
2. Voor een correcte afstelling van de remmen moet u zich aan dit minimum van 5 mm houden.
3. Draai de twee inbusschroeven stevig vast.
4. Schakel de rem in en duw tegen de douche- en toiletstoel om te bepalen of de remschoen de rem voldoende stevigheid biedt om de douche- en toiletstoel op zijn plek te houden.
5. Herhaal de bovengenoemde stappen net zolang totdat de rem de douche- en toiletstoel stabiel op één plek houdt.
6. Herhaal deze stappen voor de rem aan de andere kant.

### De remmen van de zwenkwielen in-/uitschakelen (afb. 11)



### LET OP!

#### Beknellingsgevaar

– Alle remmen van de zwenkwielen worden met de voet bediend. Schakel de remmen niet rechtstreeks met de hand in.

1. Zet de zwenkwielremmen vast door op de pedaal te stappen totdat deze vastklikt.
2. Ontgrendel de zwenkwieken door de pedaal omhoog te duwen.

### De ondersteek verwijderen/plaatsen (afb. 12)

1. Verwijderen: Schuif de ondersteek vanaf de achterkant van de douche- en toiletstoel uit de ondersteekhouder.
2. Plaatsen: Schuif de ondersteek vanaf de achterkant van de douche- en toiletstoel in de ondersteekhouder met de voorkant naar voren gericht.

## 6 Onderhoud

### 6.1 Algemene informatie over onderhoud

Als de instructies voor schoonmaak en desinfectie in acht worden genomen, heeft dit product geen onderhoud nodig.

### 6.2 Reiniging en desinfectie

#### Algemene veiligheidsinformatie



#### LET OP! Besmettingsgevaar

- Tref voorzorgsmaatregelen voor uw eigen veiligheid en gebruik de juiste beschermingsuitrusting.



#### KENNISGEVING!

- Het gebruik van de verkeerde vloeistoffen of methoden kan het product aantasten of beschadigen.
- Alle gebruikte reinigings- en desinfecteringsmiddelen moeten effectief zijn, met elkaar gecombineerd kunnen worden en de te reinigen materialen beschermen.
  - NeverGebruik nooit bijtende vloeistoffen (zuren, basen enzovoort) of schurende reinigingsmiddelen. We raden u aan een gewoon huishoudelijk reinigingsmiddel zoals vaatwasmiddel te gebruiken, indien in de reinigingsinstructies geen ander middel wordt voorgeschreven.
  - Gebruik nooit een oplosmiddel (thinner, aceton en dergelijke) waardoor de structuur van de kunststof kan veranderen of labels kunnen loslaten.
  - Zorg altijd dat het product volledig droog is voordat u het weer in gebruik neemt.



Volg voor reiniging en desinfectie in klinische omgevingen of omgevingen voor langdurige zorg de intern ingestelde procedures.

#### Reinigingsintervallen



#### KENNISGEVING!

- Regelmatig reinigen en desinfecteren zorgt voor een soepele werking, verhoogt de levensduur en voorkomt besmetting. Reinig en desinfecteer dit product:
- regelmatig als het in gebruik is;
  - voor en na onderhoudswerkzaamheden;
  - als het in contact is gekomen met lichaamsvocht;
  - voordat een nieuwe gebruiker er gebruik van maakt.

#### Reinigingsinstructies



#### KENNISGEVING

- Maximale reinigingstemperatuur:
- 60 °C met de hand

1. Reinig het product door alle goed bereikbare oppervlakken af te nemen.
2. Droog de onderdelen met een doek.

### Instructies voor desinfecteren

Methode: volg de aanwijzingen voor het aanbrengen van het gebruikte desinfectiemiddel op en neem alle toegankelijke oppervlakken af.

Desinfectiemiddel: een standaard desinfectiemiddel voor huishoudelijk gebruik.

Drogen: laat het product aan de lucht drogen.

## 7 Na gebruik

### 7.1 Geschikt maken voor hergebruik

Dit product is geschikt voor hergebruik. Om het product voor een nieuwe gebruiker gebruiksklaar te maken, voert u de volgende handelingen uit:

- Inspectie
- Schoonmaken en desinfecteren

Zie 6 *Onderhoud*, pagina 28 voor gedetailleerde informatie.

Zorg ervoor dat de gebruikershandleiding samen met het product wordt overhandigd.

Hergebruik het product niet als er schade of afwijkingen zijn geconstateerd.

### 7.2 Afvoeren

Wij hopen dat u voldoende milieubewust bent om dit product na de levensduur naar een afvalverwerkingsstation te brengen.

Haal het product en de onderdelen ervan uit elkaar, zodat de verschillende materialen afzonderlijk kunnen worden gerecycled.

Gebruikte producten en verpakkingen moeten worden afgevoerd en gerecycled overeenkomstig de wet- en regelgeving voor afvalverwerking in het betreffende land. Neem contact op met uw plaatselijke afvalverwerkingsbedrijf voor meer informatie.

## 8 Technische Specificaties

### 8.1 Technische gegevens (afb. 15)

Afmetingen	H263	H273 (24-inch wielen)
Ⓐ	1050 mm	1120 mm
Ⓑ	460 mm	460 mm
Ⓒ	165 mm	165 mm
Ⓓ	570 mm	680 mm
Ⓔ	460 mm	460 mm
Ⓕ	475 mm	475 mm
Ⓖ	1000 mm	1000 mm
Ⓗ	780 mm	780 mm
Ⓘ	580 mm	580 mm
⓫	210 mm	210 mm
⓬	325 – 460 mm	325 – 460 mm

Afmetingen	H263	H273 (24-inch wielen)
Hoogte, grond tot onderkant zitting:		
<ul style="list-style-type: none"> <li>met ondersteekhouder</li> <li>zonder ondersteekhouder</li> </ul>	340 mm 535 mm	340 mm 535 mm
Breedte, uitsparing in zitplaat	190 mm	190 mm
Diepte, uitsparing in zitplaat	360 mm	360 mm
Totale breedte, ingeklapt	225 mm	335 mm
Totale diepte, ingeklapt	1050 mm	1120 mm
Totale hoogte, ingeklapt	1000 mm	1000 mm
Ø zwenkwielen	5" (127 mm)	5" (127 mm)
Ø achterwiel	—	24" (610 mm)
Afstand tussen de 24"-wielen	—	550 mm

Gewichten	H263	H273 (24-inch wielen)
Gewicht	14.0 kg	18.5 kg
Maximaal gebruikersgewicht	135 kg	135 kg

Materialen	
Frame	Aluminium, roestvrij
Zitplaat	PUR
Ondersteek	PP

Alle onderdelen van het product zijn roestbestendig en bevatten geen natuurrubberlatex.

## 8.2 Omgevingsparameters

Bedrijfsomstandigheden	
Omgevingstemperatuur	10 - 40 °C
Relatieve luchtvochtigheid	15% - 93%, zonder condensvorming
Voorschriften voor opslag en transport	
Omgevingstemperatuur	0 - 40 °C
Relatieve luchtvochtigheid	30% - 75%, zonder condensvorming

# 1 Generell informasjon

## 1.1 Innledning

Denne bruksanvisningen inneholder viktig informasjon om hvordan produktet håndteres. Les bruksanvisningen nøye, og følg sikkerhetsinstruksjonene i den, slik at du kan bruke produktet på en trygg måte.

1525734-D

Invacare forbeholder seg retten til å endre produktspesifikasjoner uten forvarsel.

Før du leser dette dokumentet, må du forsikre deg om at du har den nyeste versjonen. Du finner den nyeste versjonen som en PDF-fil på Invacare-nettstedet.

Hvis skriftstørrelsen i den trykte versjonen av dokumentet er vanskelig å lese, kan du laste ned PDF-versjonen fra nettstedet. Deretter kan du skalere PDF-en, slik at skriftstørrelsen passer bedre for deg.

Dersom det skjer en alvorlig hendelse i tilknytning til produktet, bør du informere produsenten og de kompetente myndigheter i landet ditt.

## 1.2 Garantiopplysninger

Vi tilbyr en produsentgaranti for produktet i samsvar med våre generelle forretningsvilkår i det aktuelle landet.

Garantikrav kan bare rettes gjennom den aktuelle leverandøren av produktet.

## 1.3 Samsvar

Kvalitet er avgjørende for virksomheten til selskapet, som arbeider innenfor fagområdene i ISO 13485.

Dette produktet er CE-merket i samsvar med forordning 2017/745 om medisinsk utstyr klasse 1.

Vi arbeider kontinuerlig for å sikre at selskapets påvirkning på miljøet – både lokalt og globalt – reduseres til et minimum.

Vi bruker kun materialer og komponenter som er i samsvar med REACH-forskriftene.

## Produktspesifikke standarder

Produktet har blitt testet og er i samsvar med EN 12182 (Tekniske hjelpemidler for personer med funksjonshemming) og tilhørende standarder. Kontakt din lokale Invacare-representant for ytterligere informasjon om lokale standarder og regelverk. Se adresser nederst i dette dokumentet.

## 1.4 Levetid

Produktets forventede levetid er tre år ved daglig bruk, gitt at produktet brukes i samsvar med sikkerhetsinstrukser, vedlikeholdsintervaller og informasjon om riktig bruk som er lagt frem i denne håndboken. Den faktiske levetiden varierer etter bruksens hyppighet og intensitet.

## 1.5 Ansvarsbegrensning

Invacare erkjenner ikke ansvar for skade som skyldes:

- Manglende overholdelse av instruksjonene i bruksanvisningen
- Feil bruk
- Naturlig slitasje
- Feilmontering utført av kjøperen eller en tredjepart
- Tekniske endringer
- Endringer som ikke er godkjent, og/eller bruk av uegnede reservedeler

no

## 2 Sikkerhet

### 2.1 Sikkerhetsinformasjon



#### ADVARSEL!

**Fare for alvorlig personskade eller skade på utstyr**  
Feil bruk av produktet kan forårsake personskade og skade på utstyr.

- Hvis du har problemer med å forstå advarslene, forsiktighetsmeldingene eller instruksjonene, bør du ta kontakt med kvalifisert helsepersonell eller en leverandør eller teknisk personell før du forsøker å bruke dette utstyret.
- Du må ikke bruke dette produktet eller annet tilgjengelig ekstrautstyr hvis du ikke først har lest og forstått disse instruksjonene og eventuelt tilleggsmateriale, for eksempel bruksanvisninger, servicehåndbøker eller instruksjonsdokumenter som følger med dette produktet eller ekstrautstyr.



#### ADVARSEL!

##### Risiko for å falle

- Bruk ikke produktet hvis det er skadet.
- Utfør ikke noen endringer på produktet uten tillatelse.
- Stå ikke på dette produktet.
- Ikke stå på fotstøttene.
- Ikke løft produktet etter armlenene/fotstøtten.
- Ikke løft produktet når det er under belastning.
- Skal bare brukes på et jevnt underlag innendørs.



#### ADVARSEL!

- Rengjør produktet grundig før det brukes første gang.
- Før hver bruk, sjekk produktet for skade og forsikre deg om at det er trygt.



#### FORSIKTIG!

##### Skaderisiko

Uoriginale eller uegnede deler kan gå ut over produktets virkemåte og sikkerhet.

- Bruk bare originale deler til det aktuelle produktet.
- På grunn av regionale forskjeller må du se din lokale Invacare-katalog eller ditt lokale Invacare-nettsted, alternativt kan du kontakte Invacare-leverandøren. Se adresser nederst i dette dokumentet.

### 2.2 Merking og symboler på produktet (Fig. 14)

(A)	Produsent	(G)	Lotnummer
(B)	EU	(H)	Unik enhetsidentifikator
(C)	Skal kun brukes på flate underlag	(I)	Medisinsk utstyr
(D)	Les bruksanvisningen	(J)	Referansenummer
(E)	Maksimal brukervekt	(K)	Produktnavn
(F)	Produksjonsdato		



Identifikasjonsmerket sitter på rammen til produktet.

## 3 Produktoversikt

### 3.1 Tiltent bruk

Invacare Lima er en mobil dusj- og toalettstol med plassbesparende sammenleggbare ramme, høydejusterbare fotstøtter og toalettspotte. Vippearmlenene, rygglenet og seteplaten er mykt polstret, seteplaten har en hygiene utskjæring som kan posisjoneres i fire ulike retninger. Produktet er også tilgjengelig som en selvkjørende modell med 24" drivhjul.

Formålet med disse mobile dusj- og toalettstolene er å være til støtte ved aktiviteter knyttet til personlig hygiene, med eller uten hjelp, i institusjoner og hjem.

#### Tiltent brukere

Brukere er voksne og ungdom med ingen eller begrenset bevegelsesevne. Hvis den brukes uten en assistent, må brukeren være i stand til å holde balansen selv.

#### Indikasjoner

- begrenset bevegelsesevne (f.eks. ben og/eller hofter)
- balanseproblemer på grunn av midlertidig eller permanent funksjonsnedsettelse.

Det er ingen kontraindikasjoner når produktet brukes som tiltent. Maksimal brukervekt er angitt under *8.1 Tekniske data (Fig. 15), side 32*.

### 3.2 Leveringsinnhold (Fig. 1)

- Ramme med ryggstøtte
- Seteplate
- Toalettspotte
- Toalettspotteholder
- Fotstøtte (2x)
- Hoftebremsebelte pluss skrue og underlagsskive
- Bruksanvisning

## 4 Klargjøring (fig. 2–7)



#### FORSIKTIG!

##### Klemfare

- Utvis forsiktighet under montering.

1. Løft kartongen ① og rammen med rygglenet ② ut av transportkartongen. (fig. 2)
2. Åpne dusj- og toalett stolen ved å skyve ned krysstengene ③. (fig. 3)
3. Plasser toalettspotteholderen ④ på rammen ved å sette inn de fire toalettspotteholderkrokene i de fire hullene på rammerørene. Sett inn toalettspotten fra baksiden. (fig. 4)
4. Plasser setet ⑤ på rammen og skyv ned for å låse setet på rammen. (fig. 5)
5. Sett inn toppen av den utvendige fotstøtten ⑦ på rammen til dusj- og toalett stolen. Skyv den på og dytt ned for å låse den på plass. (fig. 6)
6. Forbered prosedyren for den andre fotstøttemodulen. (fig. 6)
7. Plasser de to hoftebremsebelte halvdelene på seterammen.
8. Installer de to monteringsskrueene og låsemutterne ⑧ for å feste de to halvdelene av hoftebremsebeltet til seterammen. (fig. 7)

## 5 Bruk



### FORSIKTIG!

Klemfare

- Ikke ta inn på foldemekanismen.
- Ikke legg fingrene mellom eiker eller mellom hjul og sete.



### ADVARSEL!

Risiko for å falle

- Aktiver bremsene i parkert stilling og for forflytning.

### Folde ut dusj-og toalettstolen (fig. 3, 9, 4, 12, 13)

1. Åpne dusj-og toalett stolen ved å skyve ned krysstengene ③. (fig. 3)
2. Hev armlenene for lettere tilgang til rammen ved å klemme utlørserspaken på armlenet mot armrøret og løft. (fig. 9)
3. Plasser toalettputteholderen på rammen ved å sette inn de fire toalettputteholderkrokene i de fire hullene på rammerørene. Sett inn toalettputten fra baksiden. (fig. 12)
4. Plasser setet på rammen og skyv ned for å låse setet på rammen. (fig. 13)



Den polstrede seteplateåpningen kan plasseres i ønsket retning. (fig. 13)

### Legge sammen dusj- og toalettstolen

1. Hev armlenene for lettere tilgang til rammen ved å klemme utlørserspaken på armlenet mot armrøret og løft.
2. Fjern seteplate fra rammen ved å dra setet opp.
3. Fjern toalettputten fra toalettputteholderen.
4. Fjern toalettputteholderen fra rammen ved å løfte de fire toalettputteholderkrokene ut av de fire hullene på rammerørene.
5. Legg sammen dusj-og toalett stolen ved å løfte opp krysstagene.

### Justere fotstøttene (Fig. 8)

1. Løft forsiden til fotbrettet til fotbrettets justeringsbolt løsner fra hullet.
2. Skyv fotbrettet for å endre fotstøttens justeringshøyde.
3. Skyv ned foran på fotbrettet til fotbrettets justeringsbolt kobles til ønsket bolthull.

### Plassere Swing-Back armene (fig. 9)

1. Lås opp swing-back armen ved å trykke arm utlørserspaken mot armrammen.
2. Trekk forsiden på swing-back armen rett opp/ut av armkontakten og skyv tilbake mot baksiden av dusj- og toalettstolen.
3. For å låse swing-back armen, dra swing-back armen fremover og dytt deretter nedover til armkontakten til du hører et "klikk".

### Bruk hjullåsene

1. Forsikre deg om at dusj- og toalett stolen ikke beveger seg før du bruker hjullåsene.
2. Skyv hjullåsens håndtak forover for å aktivere hjullåsene.
3. Deaktiver hjullåsene ved å reversere trinn 2.

### Justere hjullåsene (fig. 10)



### ADVARSEL!

Skaderisiko

- Denne operasjonen skal bare utføres av en servicetekniker.

1. Løsne de to kontaktskruene som fester hjullåsmonteringen til dusj-og toalettstolen.



Alle hjullåsens justeringer skal senke låseskoen minst 5 mm inn i dekket når de er aktivert.

2. Juster posisjonen til hjullåsen til det oppnås en måling på 5 mm for å korrigere justering av hjullåsen.
3. Stram de to kontaktskruene godt til.
4. Aktiver hjullåsen og skyv den mot toalett- og dusjstolen og vurder om hjullåsen aktiverer låseskoen nok til å holde toalett- og dusjstolen.
5. Gjenta avsnittene over til hjullåsen holder dusj- og toalettstolen oppe.
6. Gjenta avsnittet for hjullåsen på motsatt side.

### Aktivere/deaktivere styrehjullåsene (fig. 11)



### FORSIKTIG!

Klemfare

- Alle styrehjullåser betjenes med foten. Ikke bruk låsen for hånd.

1. For å låse styrehjullåsen, trykk på pedalen til den aktiveres.
2. For å låse opp styrehjullåsen til den deaktiveres.

### Fjerne/installere toalettputten (fig. 12)

1. Fjerne: Fra baksiden av toalett- og dusjstolen, skyv toalettputten ut av toalettputteholderen.
2. Montere: Fra baksiden av dusj- og toalettstolen, skyv baksiden av toalettputten inn i toalettputteholderen fremsiden først.

## 6 Vedlikehold

### 6.1 Generell vedlikeholdsinformasjon

Produktet er vedlikeholdsfrritt, forutsatt at instruksjonene for rengjøring og sikkerhet overholdes.

### 6.2 Rengjøring og desinfisering

#### Generell sikkerhetsinformasjon



### FORSIKTIG!

Risiko for kontaminering

- Ta dine egne forholdsregler og bruk passende verneutstyr.



### OBS!

Feil væsker eller metoder kan skade eller ødelegge produktet.

- Alle rengjørings- og desinfeksjonsmidler må være av god kvalitet og kompatible med hverandre. I tillegg må de beskytte materialene de skal rengjøre.
- Bruk aldri etsende væsker (baser, syrer osv.) eller slipende rengjøringsmidler. Vi anbefaler et vanlig rengjøringsmiddel for husholdning som for eksempel oppvaskmiddel hvis ikke noe annet er spesifisert i rengjøringsanvisningene.
- Bruk aldri et løsemiddel (cellulosefjernere, aceton etc.) som forandrer plastens struktur eller får etikettene til å løsne.
- Pass alltid på at produktet er helt tørket før det tas i bruk igjen.



For rengjøring og desinfeksjon i kliniske omgivelser eller ved langvarig pleie, gjelder institusjonelle retningslinjer for hygiene.

## Rengjøringshyppighet

- !** **OBS!**  
Regelmessig rengjøring og desinfeksjon bidrar til problemfri bruk, lenger levetid og forhindrer kontaminering. Rengjør og desinfiser produktet:
- jevnlig mens det brukes,
  - før og etter enhver serviceprosedyre,
  - når det har vært i kontakt med enhver type kroppsvæske,
  - før det brukes på en ny bruker.

## Rengjøringsanvisninger

- !** **MERKNAD!**  
Maksimal rengjøringstemperatur:
- 60 °C ved rengjøring for hånd

1. Rengjør produktet ved å vaske over alle tilgjengelige overflater.
2. Tørk delene med en klut.

## Instrukser for desinfisering

Metode: Følg bruksmerkene for det aktuelle desinfeksjonsmiddelet, og desinfiser med klut på alle tilgjengelige overflater.

Desinfiseringsmiddel: Vanlig desinfiseringsmiddel til husholdningsbruk.

Tørking: La produktet lufttørke.

## 7 Etter bruk

### 7.1 Overhaling

Dette produktet er egnet for gjenbruk. Utfør følgende punkter når produktet skal overhales og overføres til en ny bruker:

- Kontroll
- Rengjøring og desinfisering

For detaljert informasjon, se 6 Vedlikehold, side 31.

Sørg for at bruksanvisningen overleveres sammen med produktet.

Hvis det oppdages skade eller feil, må du ikke bruke produktet på nytt.

### 7.2 Avfallshåndtering

Vi ber deg vise miljøansvar og levere dette produktet til en lokal gjenvinningsstasjon ved endt brukstid.

Demonter produktet og dets komponenter, slik at de ulike materialene kan sorteres og gjenvinnes hver for seg.

Kassering og gjenvinning av brukte produkter og emballasje må overholde lovene og forskriftene for avfallshåndtering i hvert land. Ytterligere informasjon får du hos det lokale renovasjonsselskapet.

## 8 Tekniske Data

### 8.1 Tekniske data (Fig. 15)

Dimensjoner	H263	H273 (24" hjul)
Ⓐ	1050 mm	1120 mm
Ⓑ	460 mm	460 mm
Ⓒ	165 mm	165 mm
Ⓓ	570 mm	680 mm

Dimensjoner	H263	H273 (24" hjul)
Ⓔ	460 mm	460 mm
Ⓕ	475 mm	475 mm
Ⓖ	1000 mm	1000 mm
Ⓗ	780 mm	780 mm
Ⓘ	580 mm	580 mm
⓫	210 mm	210 mm
⓬	325 – 460 mm	325 – 460 mm
Høyde, fra bakken til nedre setekant:		
• med holder til toalett-potte	340 mm	340 mm
• uten holder til toalett-potte	535 mm	535 mm
Bredde, utskjæring i seteplate	190 mm	190 mm
Dybde, utskjæring i seteplate	360 mm	360 mm
Total bredde, sammenslått	225 mm	335 mm
Total dybde, sammenslått	1050 mm	1120 mm
Total høyde, brettet	1000 mm	1000 mm
Ø Styrehjul	5" (127 mm)	5" (127 mm)
Ø Drivhjul	—	24" (610 mm)
Bredde mellom 24" hjul	—	550 mm

Vekt	H263	H273 (24" hjul)
vekt	14,0 kg	18,5 kg
Maksimal brukervekt	135 kg	135 kg

Materialer	
Ramme	Aluminium, korrosjonsfri
Seteplate	PUR
Toalett-potte	PP

Alle produktkomponentene er rustmotstandige, og inneholder ikke lateks av naturgummi.

### 8.2 Miljøparametere

Driftsforhold	
Omgivelsestemperatur	10–40 °C
Relativ luftfuktighet	15 % – 93 %, ikke-kondenserende
Oppbevarings og transport	
Omgivelsestemperatur	0–40 °C
Relativ luftfuktighet	30 % – 75 %, ikke-kondenserende









**Belgium & Luxemburg:**

Invacare nv  
Autobaan 22  
B-8210 Loppem  
Tel: (32) (0)50 83 10 10  
Fax: (32) (0)50 83 10 11  
marketingbelgium@invacare.com  
www.invacare.be

**España:**

Invacare S.A.  
Avenida del Oeste, 50 – 1º-1ª  
Valencia-46001  
Tel: (34) 972 493 214  
contactsp@invacare.com  
www.invacare.es

**Norge:**

Besøksadresse:  
(Office adresses)  
Invacare AS  
Brynsveien 16  
0667 Oslo  
Tel: (47) 22 57 95 00  
norway@invacare.com  
www.invacare.no

**Portugal:**

Invacare Lda  
Rua Estrada Velha, 949  
P-4465-784 Leça do Balio  
Tel: (351) (0)225 193 360  
portugal@invacare.com  
www.invacare.pt

**Canada:**

Invacare Canada L.P.  
570 Matheson Blvd East, Unit 8  
CDN Mississauga, On. L4Z 4G4  
Phone: (905) 890 8300  
Toll Free: 800.668.5324  
www.pro.invacare.ca

**France:**

Invacare Poirier SAS  
Route de St Roch  
F-37230 Fondettes  
Tel: (33) (0)2 47 62 64 66  
contactfr@invacare.com  
www.invacare.fr

**Norge:**

Vareleveringsadresse:  
(Storage / Technical dep)  
Invacare AS  
Østensjøveien 19  
0661 Oslo  
teknisk@invacare.com  
www.invacare.no

**Schweiz / Suisse / Svizzera:**

Invacare AG  
Benkenstrasse 260  
CH-4108 Witterswil  
Tel: (41) (0)61 487 70 80  
Fax: (41) (0)61 488 19 10  
switzerland@invacare.com  
www.invacare.ch

**Deutschland:**

Invacare GmbH  
Am Achener Hof 8  
D-88316 Isny  
Tel: (49) (0)7562 700 0  
kontakt@invacare.com  
www.invacare.de

**Italia:**

Invacare Mecc San s.r.l.,  
Via dei Pini 62,  
I-36016 Thiene (VI)  
Tel: (39) 0445 38 00 59  
servizioclienti@invacare.com  
www.invacare.it

**Österreich:**

Invacare Austria GmbH  
Herzog-Odilo-Straße 101  
A-5310 Mondsee  
Tel: (43) 6232 5535 0  
Fax: (43) 6232 5535 4  
info-austria@invacare.com  
www.invacare.at



<https://quefairedemesdechets.fr>



Invacare GmbH  
Am Achener Hof 8  
D-88316 Isny  
Germany

